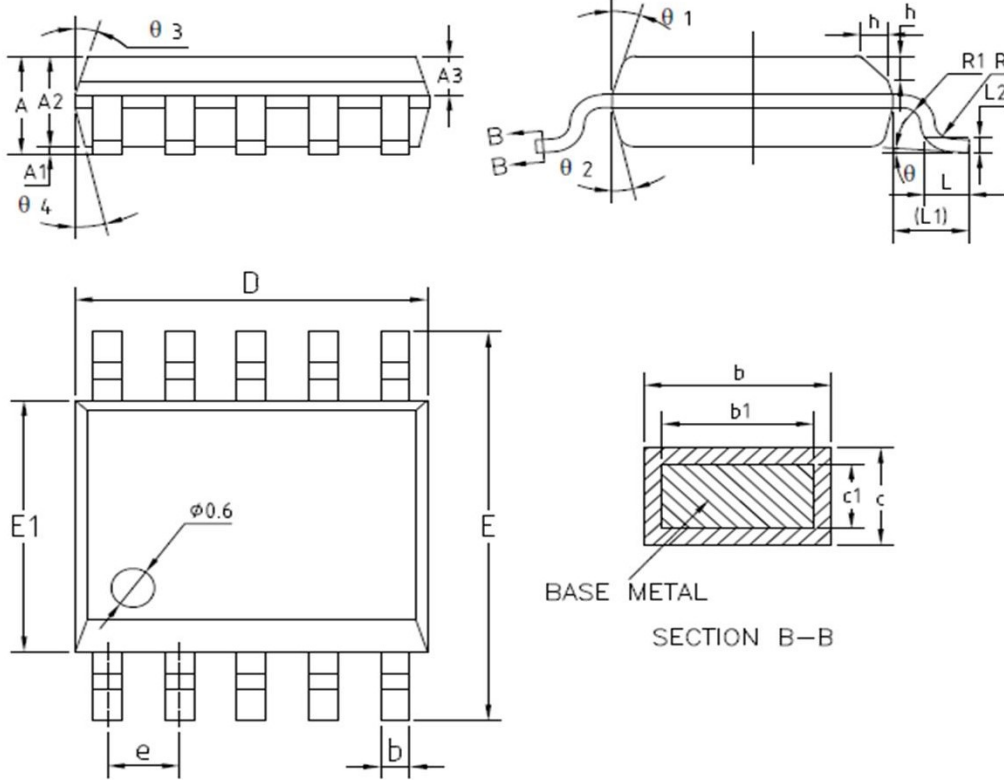




SOP-10 PACKAGE OUTLINE



| SYMBOL | MIN | NOM | MAX |
|------------|----------|------|------|
| A | 1.35 | 1.55 | 1.75 |
| A1 | 0.10 | 0.15 | 0.25 |
| A2 | 1.25 | 1.45 | 1.65 |
| A3 | 0.50 | 0.60 | 0.70 |
| b | 0.30 | - | 0.45 |
| c | 0.18 | -- | 0.25 |
| c1 | 0.17 | 0.20 | 0.25 |
| D | 4.70 | 4.90 | 5.10 |
| E | 5.84 | 6.00 | 6.24 |
| E1 | 3.80 | 3.90 | 4.00 |
| e | 1.00BSC | | |
| L | 0.40 | 0.60 | 0.80 |
| L1 | 1.04 REF | | |
| L2 | 0.25BSC | | |
| R | 0.07 | -- | -- |
| R1 | 0.07 | -- | -- |
| h | 0.25 | -- | 0.50 |
| θ | 0° | -- | 8° |
| $\theta 1$ | 15° | 17° | 19° |
| $\theta 2$ | 11° | 13° | 15° |
| $\theta 3$ | 15° | 17° | 19° |
| $\theta 4$ | 11° | 13° | 15° |