



SP6018E

Synchronous Rectifier Driver

DESCRIPTION

The fundamental of SP6018E synchronous rectifier (SR) driver IC is based on our U.S. patented methods that utilize the principle of “prediction” logic circuit. The IC deliberates previous cycle timing to control the SR in present cycle by “predictive” algorithm that makes adjustments to the turn-off time, in order to achieve maximum efficiency and avoid cross-conduction at the same time. Specially, SP6018E is designed for Resonance. It also maintains the MOSFET’s body diode conduction at minimum level. The SP6018E is capable to adapt in almost all existing Resonance converters with few adjustments considered necessary.

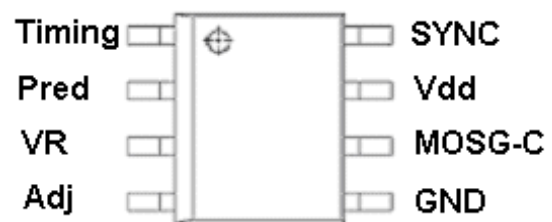
FEATURES

- Offers efficiency improvement over Schottky Diode (depends on drive configuration of the SR).
- Low Standby Power to meet DOE Lot 6 requirement.
- Drives all logic level Power MOSFET.
- Prediction gate timing control.
- Minimum MOSFET body diode conduction.
- Operating frequency up to 400 KHz.
- Synchronize to transformer secondary voltage waveform.
- Internal over voltage protection

APPLICATIONS

- Switching Mode Power Supply (CCM&DCM&QR)
- Storage area network power supplies
- Telecommunication converters
- Embedded systems
- Industrial & commercial systems using high current processors
- Power converters to meet Lot 6 requirement

PIN CONFIGURATION (SOP-8)



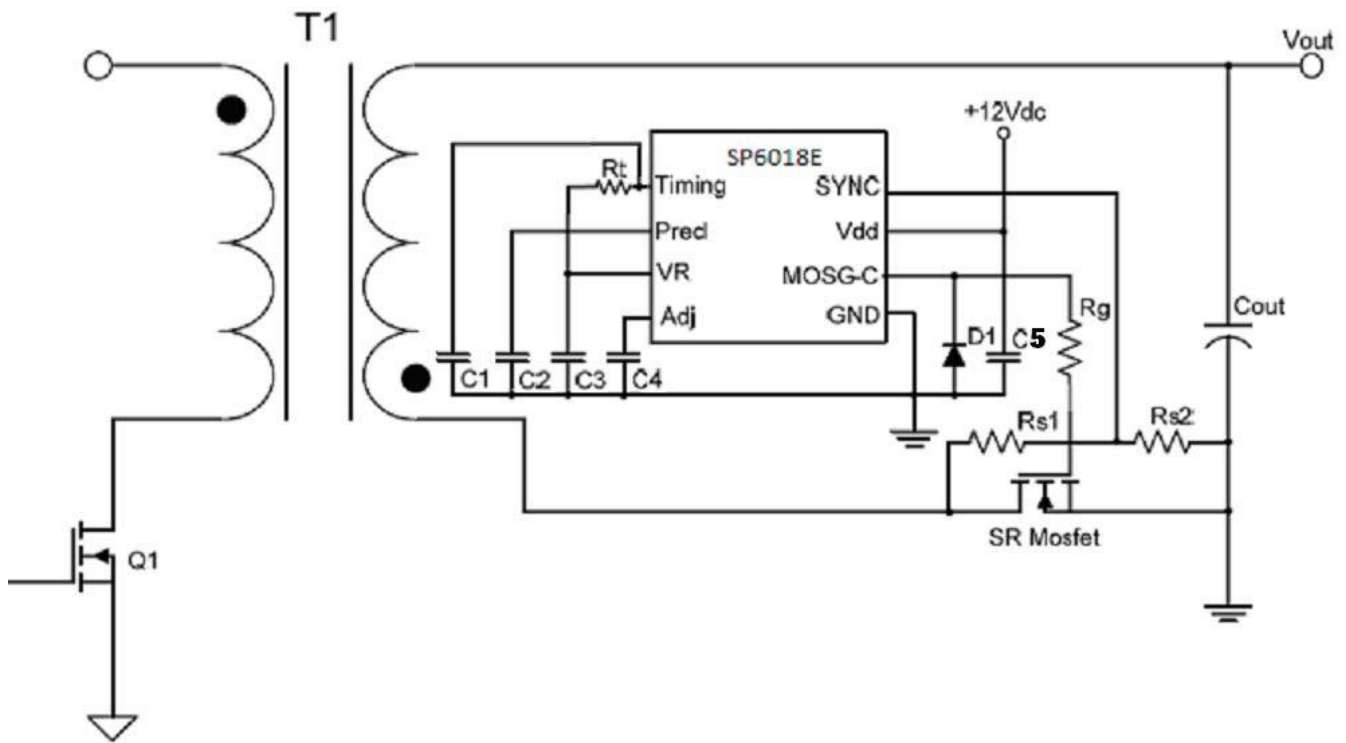
PART MARKING





SP6018E Synchronous Rectifier Driver

TYPICAL APPLICATION CIRCUIT



PIN DESCRIPTION

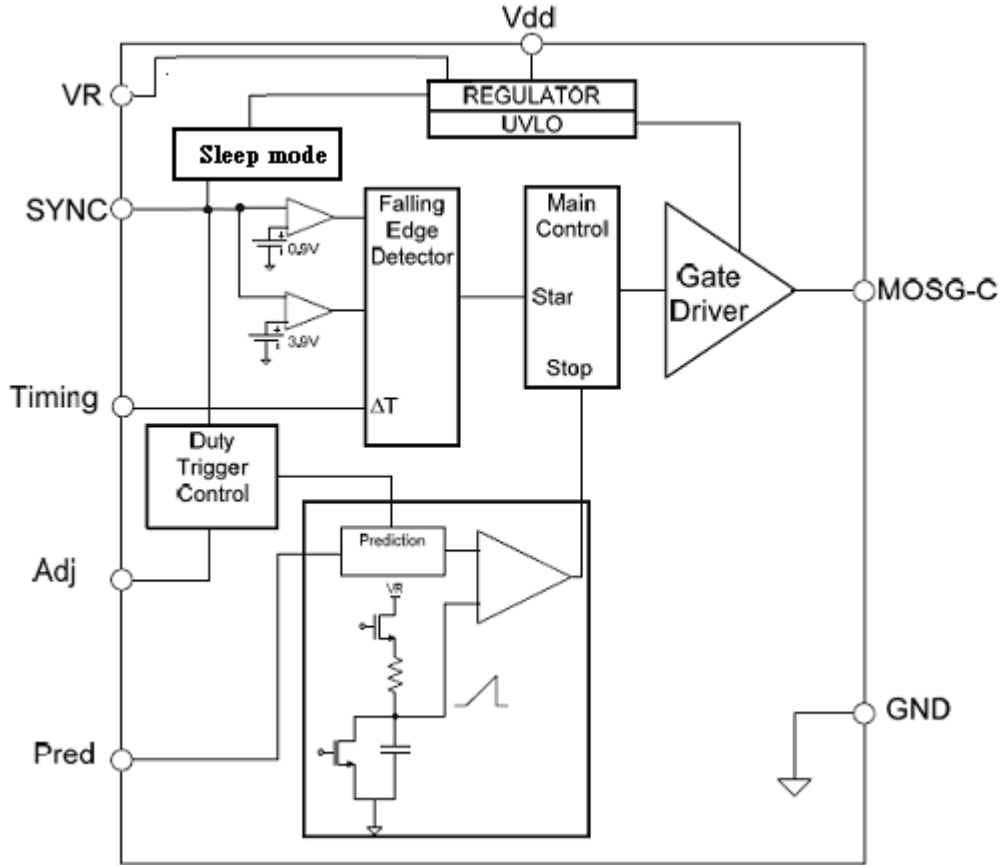
Pin	Symbol	Description
1	Timing	Discontinuous current filter timing adjustment resistor connection.
2	Pred	Capacitor to store previous cycle timing for SR MOSFET.
3	VR	Voltage Regulator.
4	Adj	Trigger point adjustment for Dynamic state.
5	GND	Ground connection.
6	MOSG-C	Catch MOSFET gate drive.
7	Vdd	DC supply voltage.
8	SYNC	Synchronized signal from the V_{DS} of SR MOSFET.



SP6018E

Synchronous Rectifier Driver

BLOCK DIAGRAM



ORDERING INFORMATION

Part Number	Package	Part Marking
SP6018ES8RGB	SOP-8	SP6018E
SP6018ES8TGB	SOP-8	SP6018E

※ SP6018ES8RGB : 7" Tape Reel ; Pb – Free ; Halogen - Free

※ SP6018ES8TGB : Tube ; Pb – Free ; Halogen - Free

ABSOLUTE MAXIMUM RATINGS (TA=25°C, unless otherwise specified.)

The following ratings designate persistent limits beyond which damage to the device may occur.

Symbol	Parameter	Value	Unit
V _{dd}	DC Supply Voltage	16	V
I _{OUT}	Peak Source Current (Pulsed)	2.0	A
	Peak Sink Current (Pulsed)	2.0	A
P _D	Power Dissipation @ T _A =85°C (*)	0.25	W
T _J	Operating Junction Temperature Range	-40 to 125	°C
T _{STG}	Storage Temperature Range	-40 to 150	°C
T _{LEAD}	Lead Soldering Temperature for 5 sec.	260	°C



SP6018E

Synchronous Rectifier Driver

THERMAL RESISTANCE

Symbol	Parameter	Value	Unit
$R_{\theta JC}$	Thermal Resistance Junction – Case (*)	45	$^{\circ}C/W$

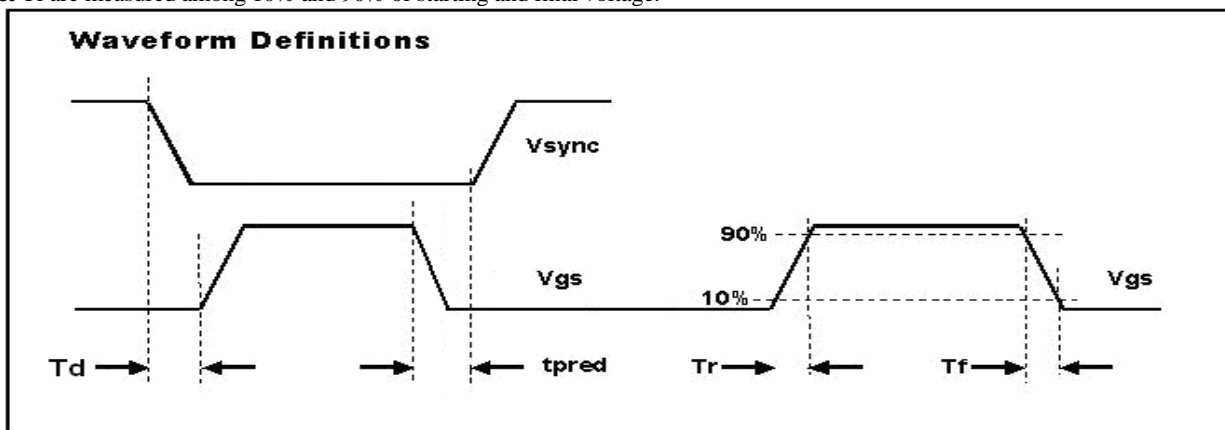
(*) The power dissipation and thermal resistance are evaluated under copper board mounted with free air conditions.

ELECTRICAL CHARACTERISTICS

($T_A=25^{\circ}C$, $V_{dd}=12V$, Freq. =50 KHz, Duty Cycle=50%, unless otherwise specified.)

Symbol	Parameter	Conditions	Min.	Typ.	Max.	Unit
SUPPLY INPUT						
I_{DD}	Supply current	No load		0.15		mA
		$V_{SYNC}=0V$, V_{dd} on		3	4	mA
V_{dd}	Supply voltage	I_{dd} peak < 2A			16	V
V_{dd} on	Enable voltage		8.5	10	11	V
V_{dd} hysteresis	Enable voltage			0.5	0.9	V
V_{ovp}	Over voltage protection		15	16		V
V_{ovp} hysteresis				0.7		V
SYNC REFERENCE (SYNC)						
V_{shth}	SYNC high threshold		3.5	3.9		V
V_{slth}	SYNC low threshold			0.9	1.2	V
V_{sync}	SYNC clamp voltage	$I_{sync}=3mA$	10	$V_{dd}+0.7$	16	V
V_{sync} WK	SYNC wake-up voltage	Pulse width >1 μ S	9.5			V
I_{sync}	SYNC input current				3	mA
Voltage Regulator REFERENCE (VR)						
V_R	voltage		5.2		5.4	V
I_{VR}	VR Output Current				50	mA
ON TIME DUTY SETUP (PIN 6)						
$T_{on-time}$				26	32	us
MOSFET GATE DRIVER (MOSG-C)						
V_{oh}	Output high voltage	$I_o = -200mA$	10.5	11.0		V
V_{ol}	Output low voltage	$I_o = 200mA$		0.5	0.8	V
T_d	Propagation delay	No load	25	50	155	ns
T_{pred}		No load		120		ns
T_r	Rise time	Load = 1nF (*)		10	25	ns
T_f	Fall time	Load = 1nF (*)		10	25	ns
Dynamic Protect						
D_t	Dynamic variable	Pin 4 open		600		ns
T_{on-min}	MOSG-C on time	PWM adjusts time > D_t		1		us

(*) T_r & T_f are measured among 10% and 90% of starting and final voltage.

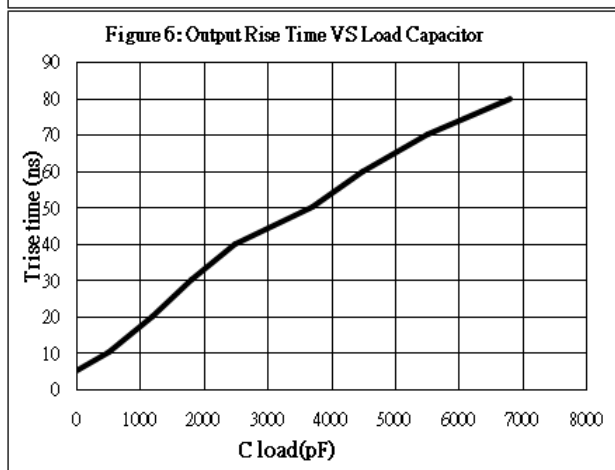
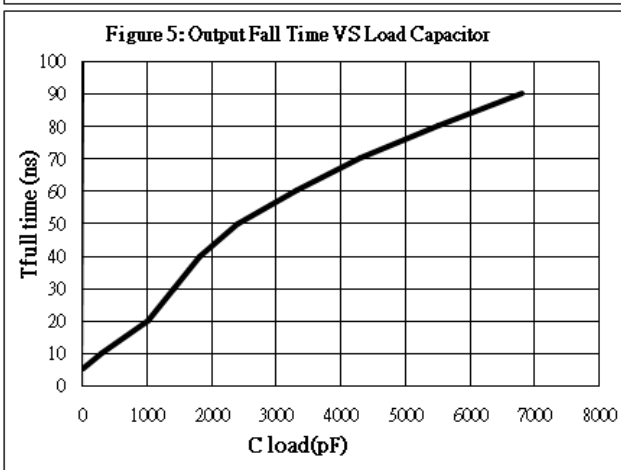
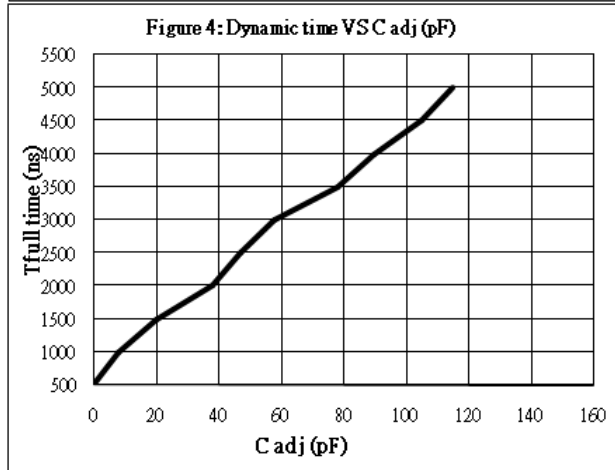
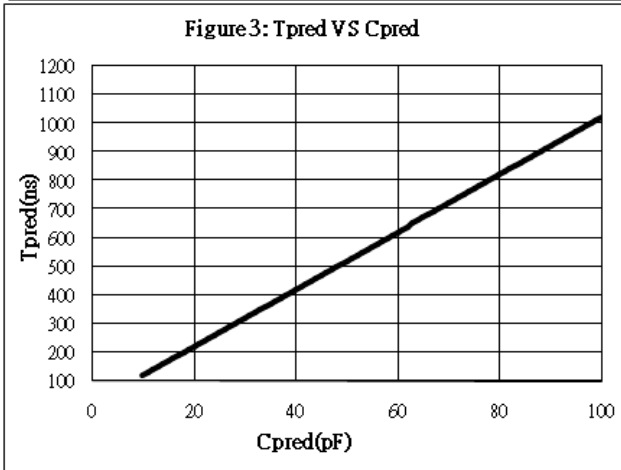
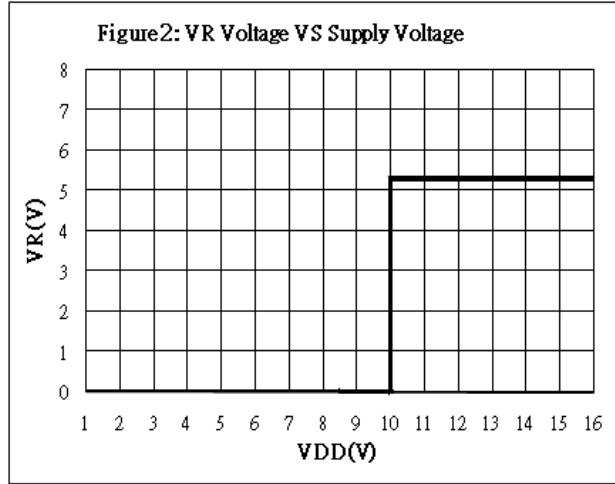
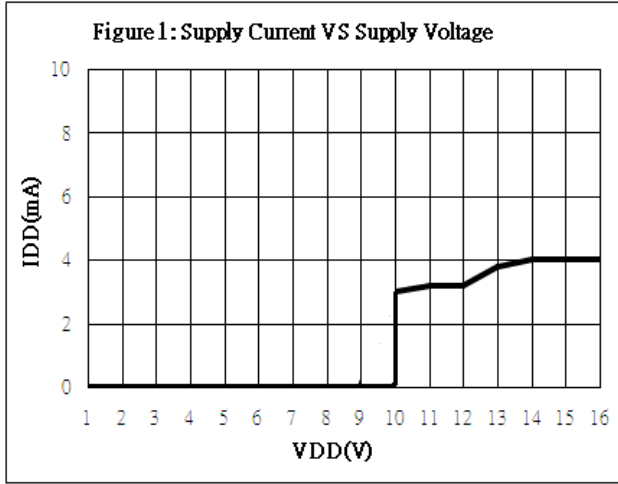




SP6018E

Synchronous Rectifier Driver

PERFORMANCE CHARACTERISTICS ($T_A=25^{\circ}\text{C}$, unless otherwise specified.)



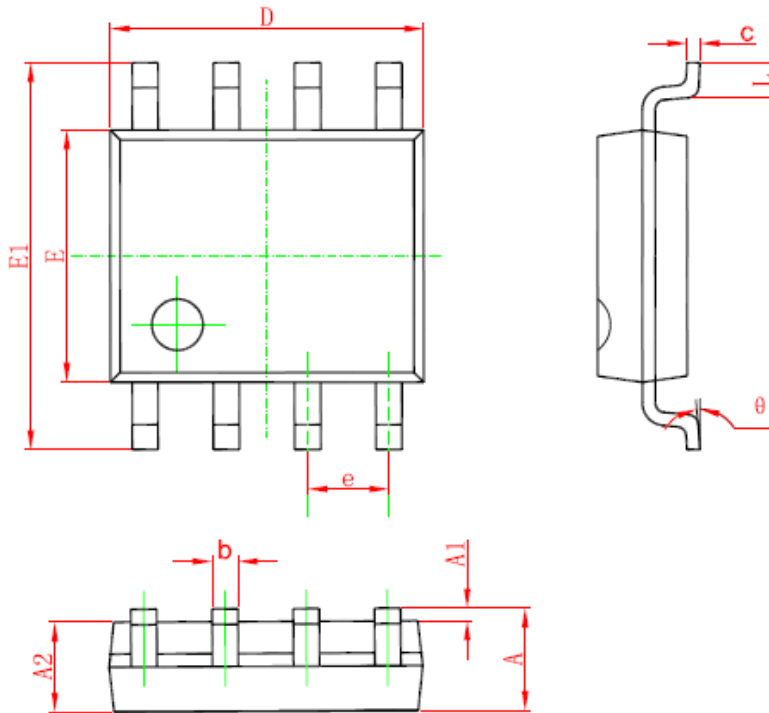
*Fig. 1 : No Load ; No SYNC
*Fig. 3 : Frequency = 100 KHz
*Fig. 4~5 : Frequency = 65 KHz.



SP6018E

Synchronous Rectifier Driver

SOP- 8 PACKAGE OUTLINE



Symbol	Dimensions In Millimeters		Dimensions In Inches	
	Min	Max	Min	Max
A	1.350	1.750	0.053	0.069
A1	0.100	0.250	0.004	0.010
A2	1.350	1.550	0.053	0.061
b	0.330	0.510	0.013	0.020
c	0.170	0.250	0.006	0.010
D	4.700	5.100	0.185	0.200
E	3.800	4.000	0.150	0.157
E1	5.800	6.200	0.228	0.244
e	1.270 (BSC)		0.050 (BSC)	
L	0.400	1.270	0.016	0.050
θ	0°	8°	0°	8°



SP6018E

Synchronous Rectifier Driver

Information provided is alleged to be exact and consistent. SYNC Power Corporation presumes no responsibility for the penalties of use of such information or for any violation of patents or other rights of third parties, which may result from its use. No license is granted by allegation or otherwise under any patent or patent rights of SYNC Power Corporation. Conditions mentioned in this publication are subject to change without notice. This publication surpasses and replaces all information previously supplied. SYNC Power Corporation products are not authorized for use as critical components in life support devices or systems without express written approval of SYNC Power Corporation.

© The SYNC Power logo is a registered trademark of SYNC Power Corporation
© 2014 SYNC Power Corporation – Printed in Taiwan – All Rights Reserved
SYNC Power Corporation
7F-2, No.3-1, Park Street
NanKang District (NKSP), Taipei, Taiwan, 115, R.O.C
Phone: 886-2-2655-8178
Fax: 886-2-2655-8468
<http://www.syncpower.com>