



SP6026F

Synchronous Rectifier Driver

DESCRIPTION

The fundamental of SP6026F synchronous rectifier (SR) driver IC is based on our U.S. patented methods that utilize the principle of “prediction” logic circuit. The IC deliberates previous cycle timing to control the SR in present cycle by “predictive” algorithm that makes adjustments to the turn-off time, in order to achieve maximum efficiency and avoid cross-conduction at the same time. Specially, SP6026F is designed for Resonance. It also maintains the MOSFET’s body diode conduction at minimum level. The SP6026F is capable to adapt in almost all existing Resonance converters with few adjustments considered necessary.

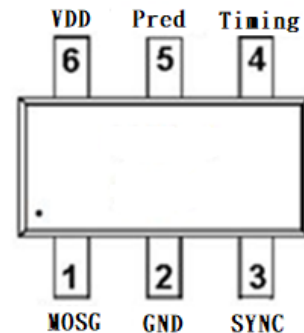
FEATURES

- Offers efficiency improvement over Schottky Diode.
- Low Standby Power to meet DOE Lot 6 requirement.
- Drives all Power MOSFET.
- Automatic detection DCM & CCM
- In DCM the current detection method is applied
- In CCM the prediction method is applied
- Minimum MOSFET body diode conduction.
- Operating frequency up to 200 KHz.
- Synchronize to transformer secondary voltage waveform.
- Minimum on time 1.8us (typical).
- External timing pin to adjust the falling slope

APPLICATIONS

- Switching Mode Power Supply
- Storage area network power supplies
- Telecommunication converters
- Embedded systems
- Industrial & commercial systems using high current processors
- Power converters to meet Lot 6 requirement

PIN CONFIGURATION (SOT-23-6L)



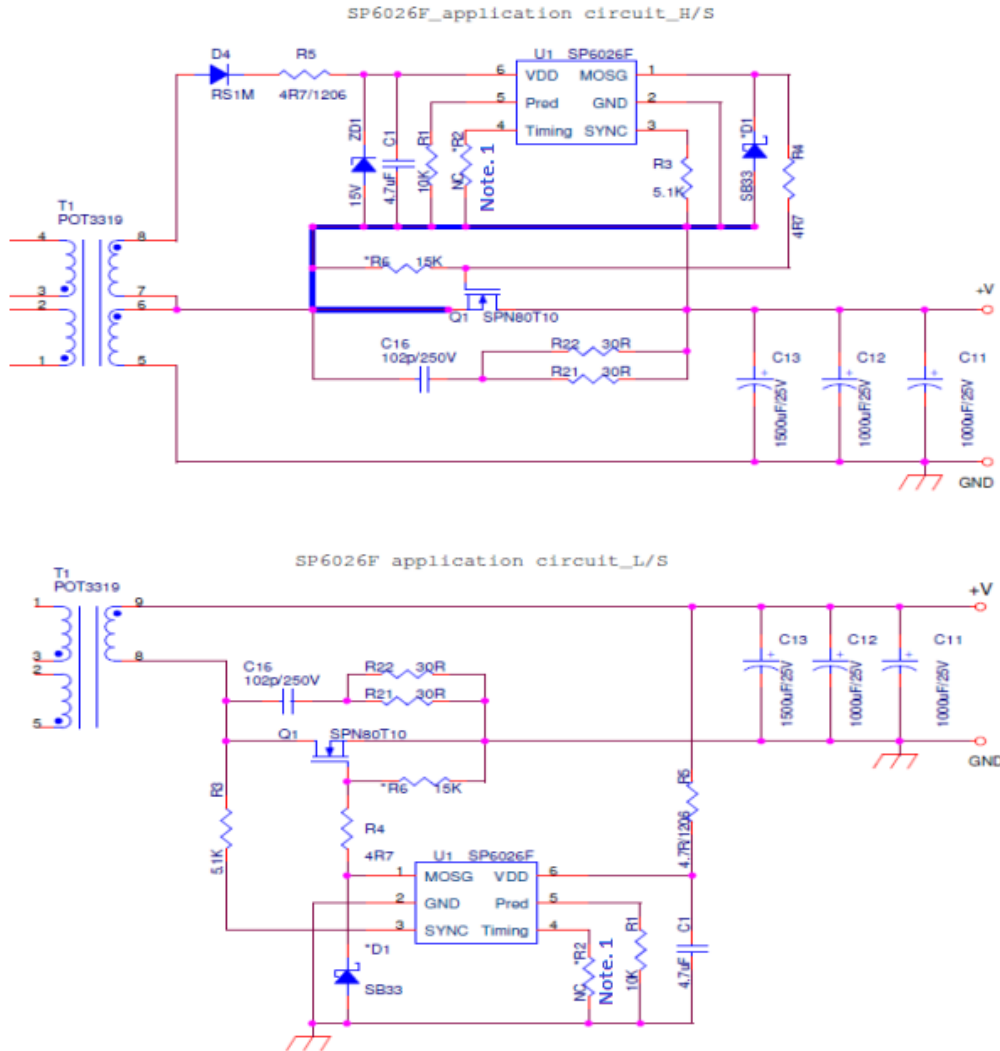
PART MARKING





SP6026F Synchronous Rectifier Driver

TYPICAL APPLICATION CIRCUIT



PIN DESCRIPTION

Pin	Symbol	Description
1	MOSG	MOSFET gate drive.
2	GND	Ground connection.
3	SYNC	Synchronized signal from the VDS of SR MOSFET.
4	Timing	Discontinuous current filter timing adjustment resistor connection.
5	Pred	Capacitor to store previous cycle timing for SR MOSFET.
6	Vdd	DC supply voltage.

Note 1

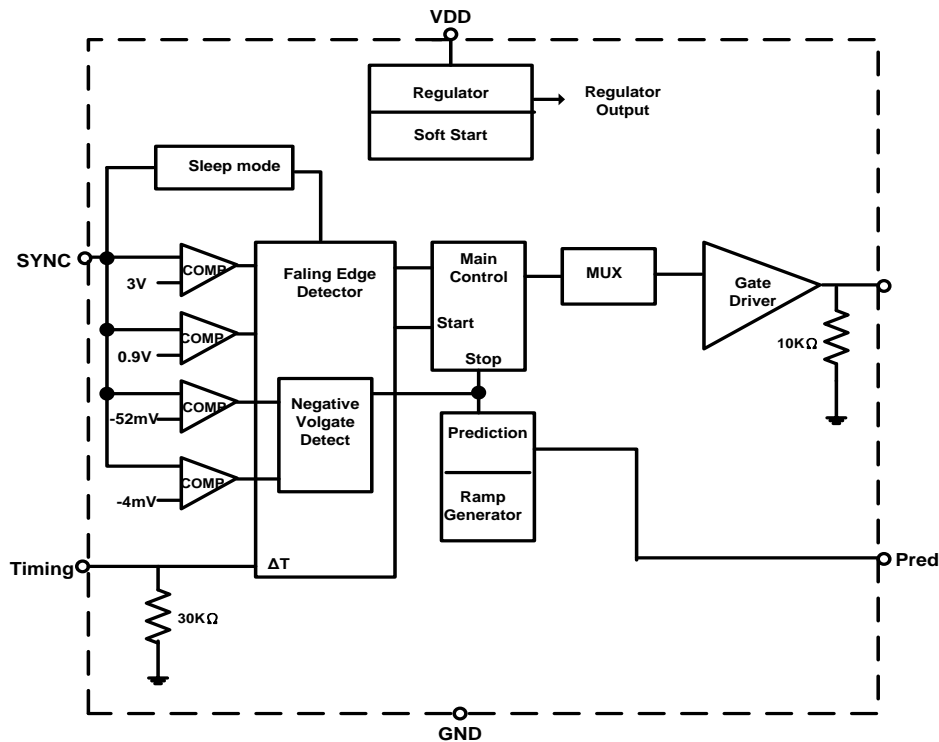
*The timing pin has an internal resistor of 30 K Ω , as shown in the block diagram. Typically, the timing pin is NC pin. If a sharper falling edge of SYNC is required, an external resistor can be added.



SP6026F

Synchronous Rectifier Driver

BLOCK DIAGRAM



ORDERING INFORMATION

Part Number	Package	Part Marking
SP6026FS26RGB	SOT-23-6L	SP6026F

※ SP6026FS26RGB : Tape Reel ; Pb – Free ; Halogen - Free

ABSOLUTE MAXIMUM RATINGS (TA=25°C, unless otherwise specified.)

The following ratings designate persistent limits beyond which damage to the device may occur.

Symbol	Parameter	Value	Unit
V _{dd}	DC Supply Voltage	20	V
I _{OUT}	Peak Source Current (Pulsed)	1.0	A
	Peak Sink Current (Pulsed)	1.5	A
P _D	Power Dissipation @ T _A =85°C (*)	0.3	W
T _J	Operating Junction Temperature Range	-40 to 125	°C
T _{STG}	Storage Temperature Range	-40 to 150	°C
T _{LEAD}	Lead Soldering Temperature for 5 sec.	260	°C

THERMAL RESISTANCE

Symbol	Parameter	Value	Unit
R _{θJC}	Thermal Resistance Junction – Case (*)	110	°C/W

(*) The power dissipation and thermal resistance are evaluated under copper board mounted with free air conditions.



SP6026F

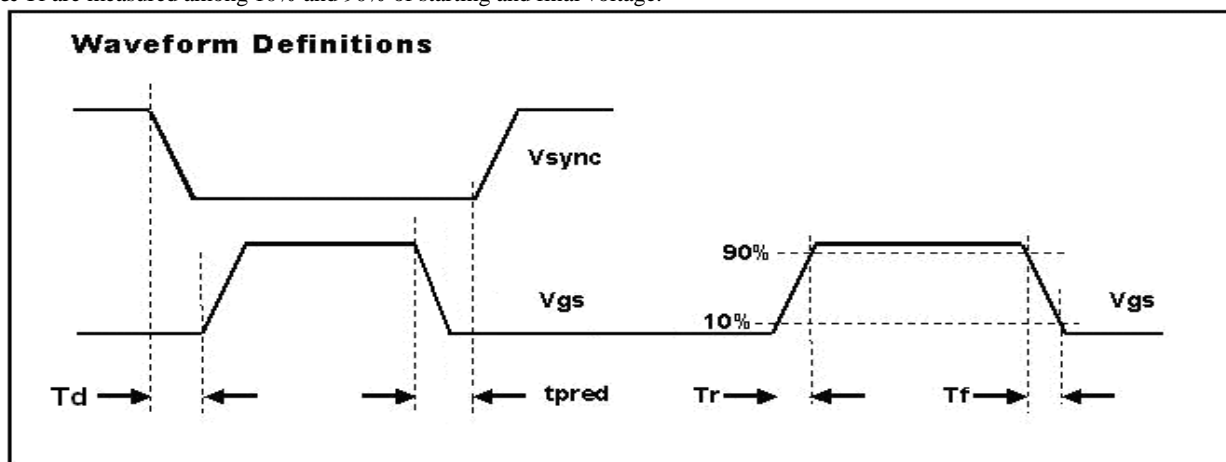
Synchronous Rectifier Driver

ELECTRICAL CHARACTERISTICS

($T_A=25^\circ\text{C}$, $V_{dd}=12\text{V}$, Freq. =50 KHz, Duty Cycle=50%, unless otherwise specified.)

Symbol	Parameter	Conditions	Min.	Typ.	Max.	Unit
SUPPLY INPUT						
IDD	Supply current	No load & Sleep mode		0.15		mA
		$V_{\text{SYNC}}=0\text{V}$, V_{dd} on		3		mA
Vdd	Supply voltage	I _{dd peak} < 1A	4.2		18	V
Vdd on	Enable voltage			3.8		V
Vdd hysteresis	Enable voltage			0.25	0.5	V
SYNC REFERENCE (SYNC)						
Vshth	SYNC high threshold			3.0		V
Vslth	SYNC low threshold			0.9		V
Vsync	SYNC clamp voltage	I _{sync} =3mA	V _{dd} +1.0			V
Vsync Sleep	SYNC sleep voltage	Pulse width >60 uS	3.5			V
I _{sync}	SYNC input current				15	mA
REFERENCE Voltage (V_Pred)						
V_Pred				1.25		V
Control Circuitry Section for Current detection mode						
Vfwd	V _{gnd} -V _{sync} forward voltage			52		mV
	V _{gnd} -V _{sync} turn-off voltage			4		mV
TBon	Turn-on blanking time			1.8		uS
TDoff	Turn-off total delay	V _{sync} =V _{gnd} , C _{LOAD} =4.7nF, R _G =0Ω, V _{GS} =2V		60		nS
MOSFET GATE DRIVER (MOSG)						
Voh	Output high voltage	I _o = -200mA		10.8		V
Vol	Output low voltage	I _o = 200mA		0.2		V
Vcl	Maximum Gate clamped voltage	V _{dd} =18V		15		V
Ton-max	MOSG maximum on time	Prediction mode		25		uS
Ton-min	MOSG minimum on time			1.8		uS
Td	Turn-on Propagation delay	No load, R _{Pred} =10KΩ		100		nS
Tpred	Dead time(prediction mode) in CCM	No load, R _{Pred} =10KΩ		750		nS
Tr	Rise time	Load = 1nF (*)		13		nS
Tf	Fall time	Load = 1nF (*)		7		nS

(*) Tr & Tf are measured among 10% and 90% of starting and final voltage.





SP6026F

Synchronous Rectifier Driver

TYPICAL CHARACTERISTICS (TA=25°C, unless otherwise specified.)

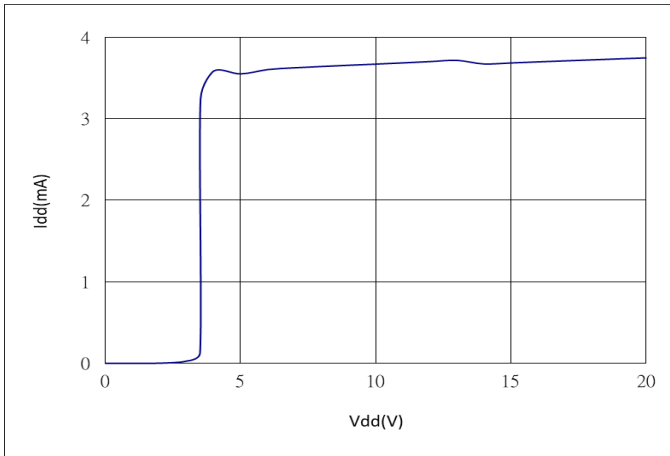


Figure 1 : Supply Current vs Supply Voltage

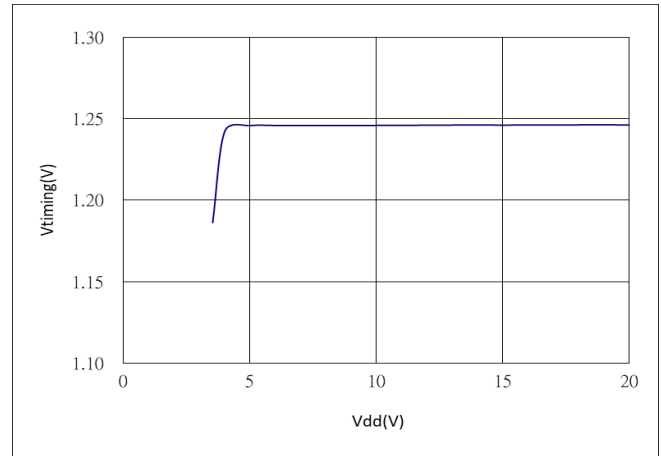


Figure 2 : Timing Voltage vs Supply Voltage

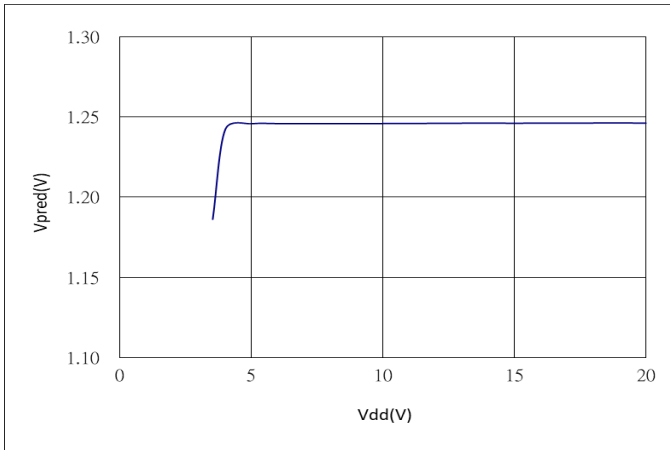


Figure 3 : Pred Voltage vs Supply Voltage

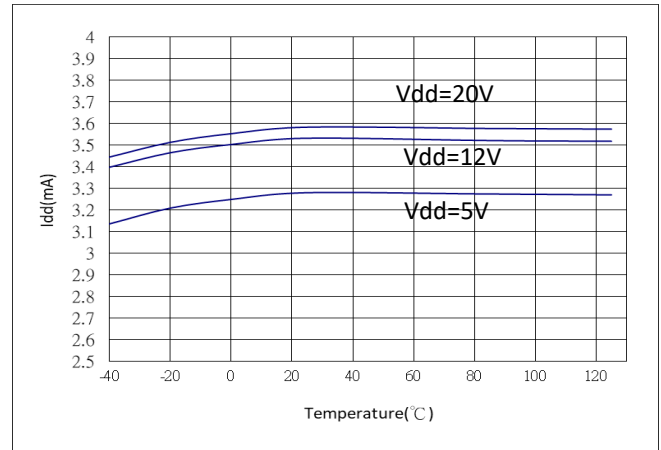


Figure 4 : Supply Current vs Temperature

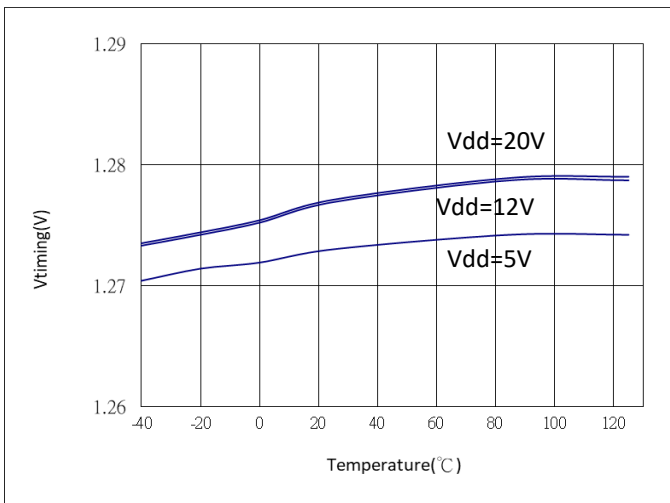


Figure 5 : Timing Voltage vs Temperature

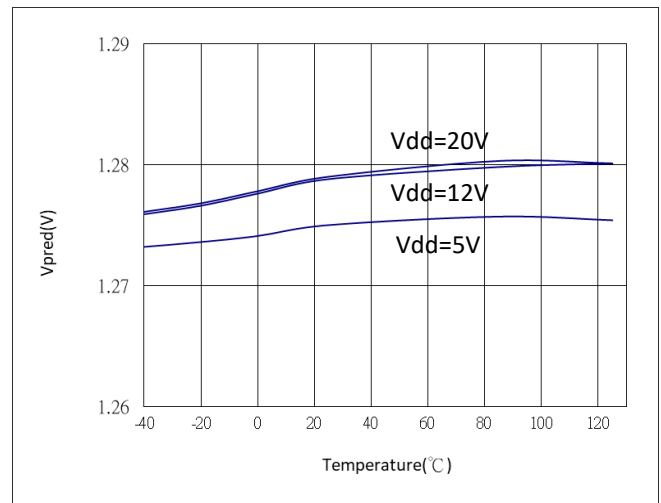


Figure 6 : Pred Voltage vs Temperature



SP6026F

Synchronous Rectifier Driver

TYPICAL CHARACTERISTICS (TA=25°C, unless otherwise specified.)

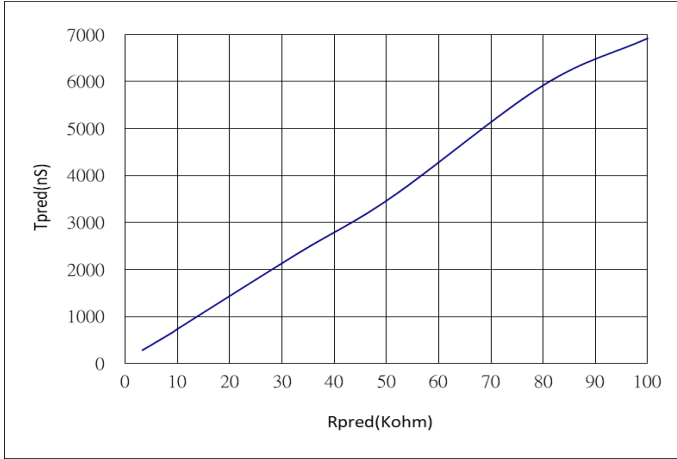


Figure 7 : Tpred vs Rpred

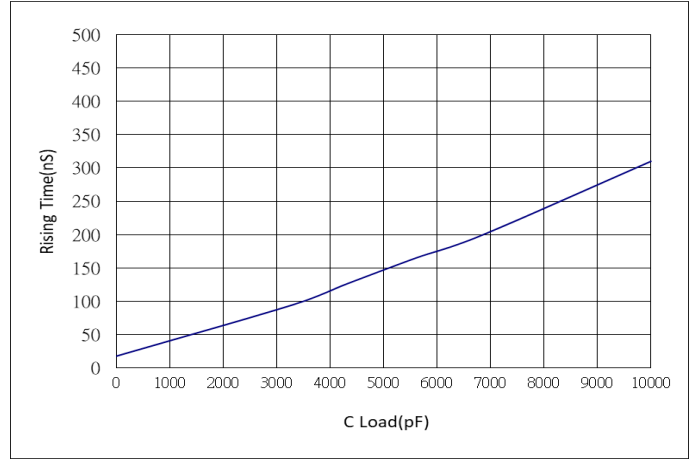


Figure 8 : Output Rising Time vs Load Capacitor

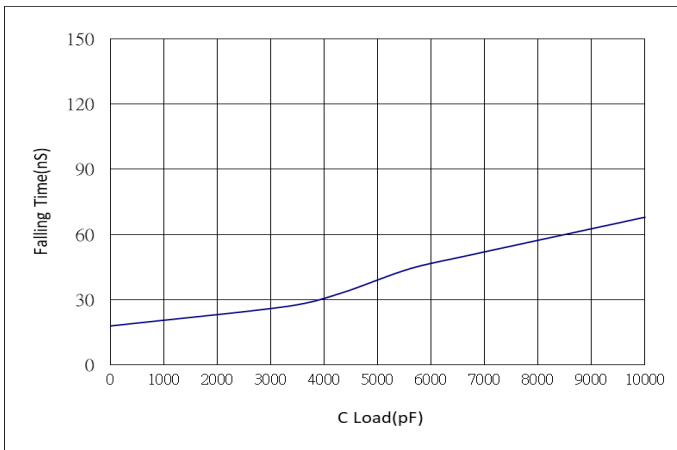


Figure 9 : Output Falling Time vs Load Capacitor



SP6026F

Synchronous Rectifier Driver

Information provided is alleged to be exact and consistent. SYNC Power Corporation presumes no responsibility for the penalties of use of such information or for any violation of patents or other rights of third parties, which may result from its use. No license is granted by allegation or otherwise under any patent or patent rights of SYNC Power Corporation. Conditions mentioned in this publication are subject to change without notice. This publication surpasses and replaces all information previously supplied. SYNC Power Corporation products are not authorized for use as critical components in life support devices or systems without express written approval of SYNC Power Corporation.

© The SYNC Power logo is a registered trademark of SYNC Power Corporation
© 2021 SYNC Power Corporation – Printed in Taiwan – All Rights Reserved
SYNC Power Corporation
7F-2, No.3-1, Park Street
NanKang District (NKSP), Taipei, Taiwan, 115, R.O.C
Phone: 886-2-2655-8178
Fax: 886-2-2655-8468
<http://www.syncpower.com>