



SP6037

High Performance Synchronous Rectifying Converter

DESCRIPTION

SP6037 is a high performance and tightly integrated secondary side synchronous rectifying converter for switching mode power supply system. It combines a low R_{dson} N-channel MOSFET to emulate the traditional diode rectifier at the secondary side of Flyback converter, The fundamental of SP6037 synchronous rectifying (SR) converter is based on our U.S. patented methods that utilize the principle of “prediction” logic circuit. The IC deliberates previous cycle timing to control the SR in present cycle by “predictive” algorithm that makes adjustments to the turn-off time, in order to achieve maximum efficiency and avoid cross-conduction at the same time. The SP6037 is capable to adapt in almost all existing 5V Resonance converters with few adjustments considered necessary.

FEATURES

- Offers efficiency improvement over Schottky Diode .
- Low Standby Power to meet DOE Lot 6 requirement.
- Secondary-side synchronous rectifier optimized for 5V output system.
- Build-in 45V SR MOSFET with low R_{dson}
- Operating frequency up to 300 KHz.
- Synchronize to transformer primary voltage waveform.
- Internal over voltage protection

APPLICATIONS

- Switching Mode Power Supply (CCM&DCM&QR)
- Storage area network power supplies
- Telecommunication converters
- Embedded systems
- Industrial & commercial systems using high current processors
- Power converters to meet Lot 6 requirement

PIN CONFIGURATION (SOP-8)



PART MARKING

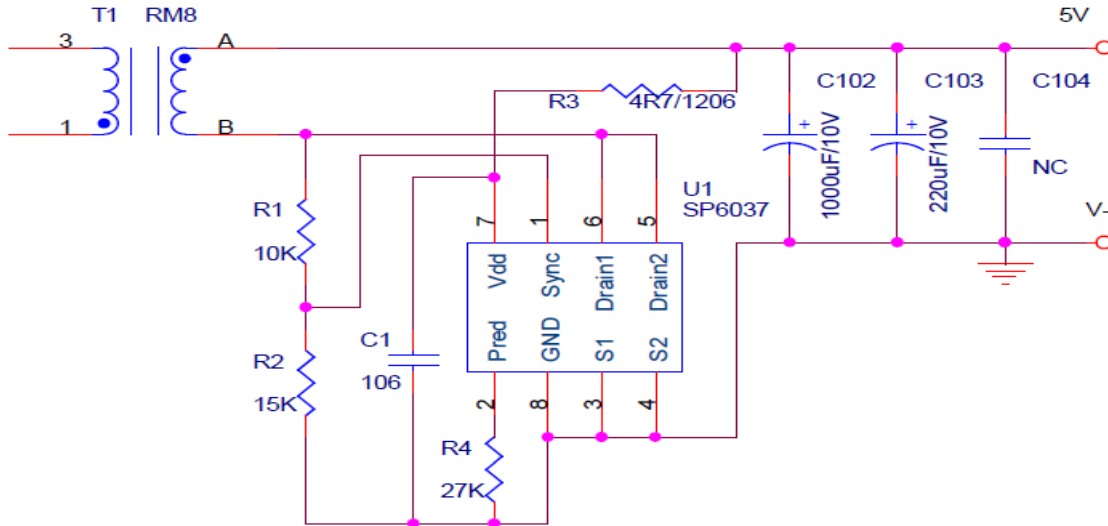




SP6037

High Performance Synchronous Rectifying Converter

TYPICAL APPLICATION CIRCUIT



PIN DESCRIPTION

Pin	Symbol	Description
1	SYNC	Synchronized signal from Vds of SR MOSFET
2	Pred	By connecting a resistor to ground to set the dead time.
3	Source	Internal MOSFET Source
4	Source	Internal MOSFET Source
5	Drain	Internal MOSFET drain
6	Drain	Internal MOSFET drain
7	Vdd	DC supply voltage.
8	GND	Ground connection.

ORDERING INFORMATION

Part Number	Package	Part Marking
SP6037S8RGB	SOP-8	SP6037

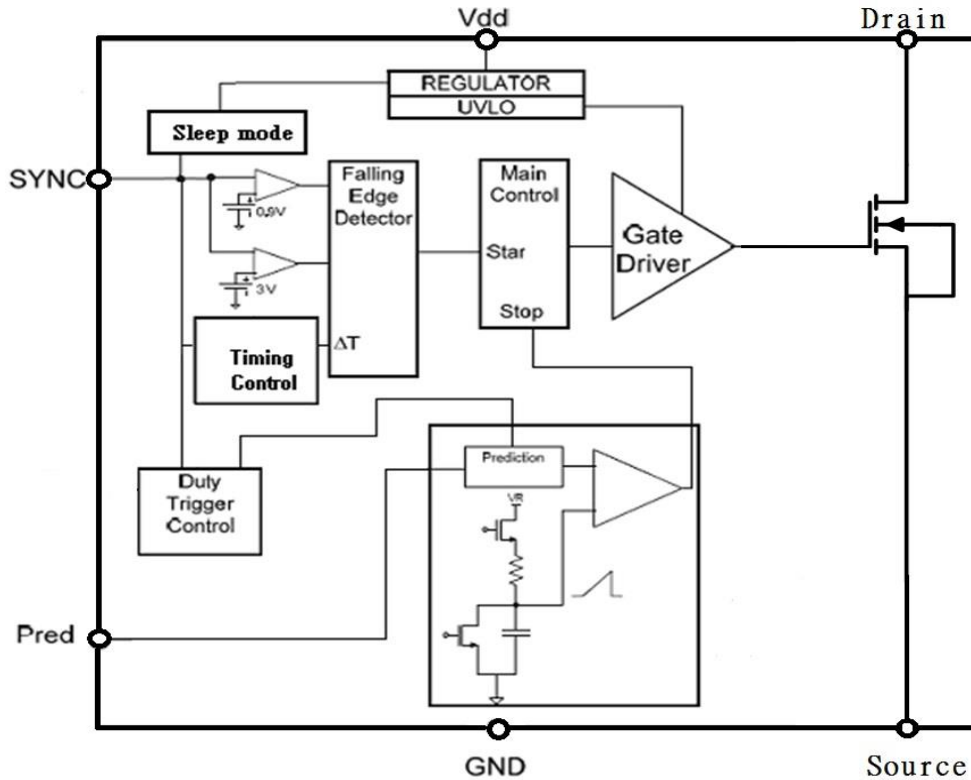
※ SP6037S8RGB : Tape Reel ; Pb – Free ; Halogen - Free



SP6037

High Performance Synchronous Rectifying Converter

BLOCK DIAGRAM



ABSOLUTE MAXIMUM RATINGS (TA=25°C, unless otherwise specified.)

The following ratings designate persistent limits beyond which damage to the device may occur.

Symbol	Parameter	Value	Unit
V _{dd}	DC Supply Voltage	16	V
V _d to V _s	Drain to Source	45	V
P _D	Power Dissipation @ T _A =25°C (*)	3.1	W
T _J	Operating Junction Temperature Range	-40 to 125	°C
T _{STG}	Storage Temperature Range	-40 to 150	°C
T _{LEAD}	Lead Soldering Temperature for 5 sec.	260	°C

THERMAL RESISTANCE

Symbol	Parameter	Value	Unit
R _{θJA}	Thermal Resistance-Junction to Ambient (*)	75	°C/W

(*) The power dissipation and thermal resistance are evaluated under copper board mounted with free air conditions.



SP6037

High Performance Synchronous Rectifying Converter

ELECTRICAL CHARACTERISTICS

($T_A=25^{\circ}\text{C}$, $V_{dd}=5\text{V}$, Freq. =50 KHz, Duty Cycle=50%, unless otherwise specified.)

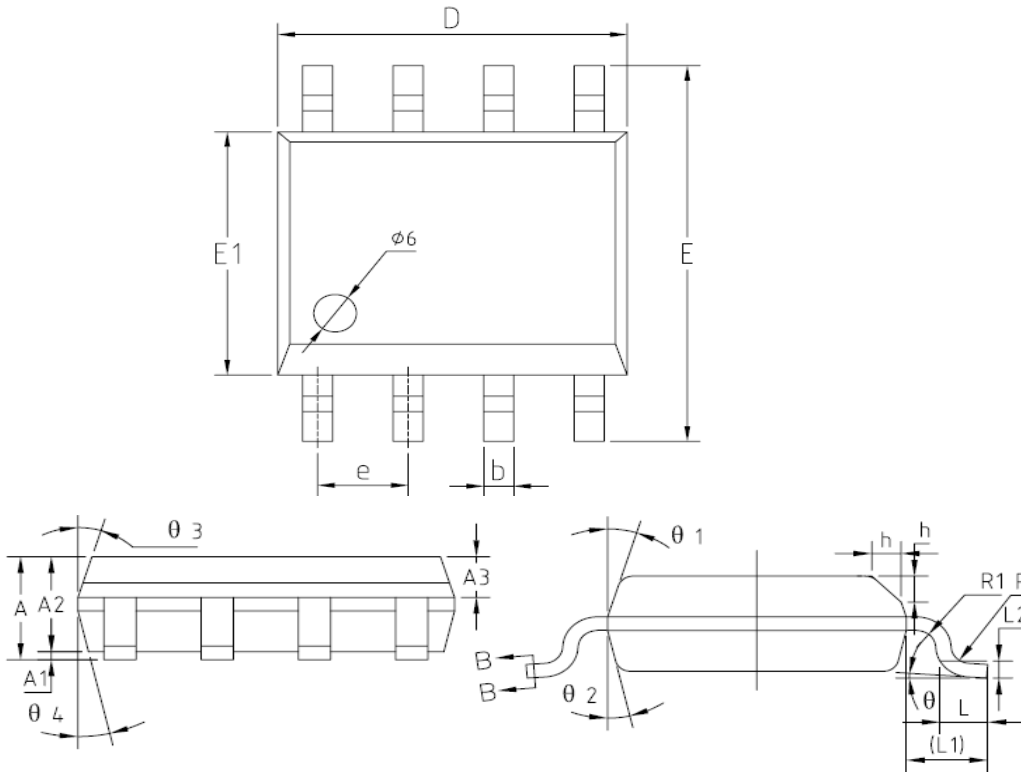
Symbol	Parameter	Conditions	Min.	Typ.	Max.	Unit
SUPPLY INPUT						
I _{dd}	Supply current	No load & Sleep mode		0.2	0.35	mA
		V _{SYNC} =V _{dd} , No load	2.0	3.0	4.0	mA
V _{dd}	Supply voltage	I _{dd peak} < 1A	4.5		16	V
V _{ovp}	Over voltage protection		17	17.8	18.5	V
V _{dd on}	Enable voltage		3.4	3.7	4.1	V
V _{dd hysteresis}	Enable voltage		0.1	0.3	0.5	V
SYNC REFERENCE (SYNC)						
V _{shth}	SYNC high threshold			3.0		V
V _{slth}	SYNC low threshold			0.9		V
V _{sync}	SYNC clamp voltage	I _{sync} =3mA	V _{dd} +1.5			V
V _{sync WK}	SYNC wake-up voltage	Pulse width >1uS for V _{dd} =5V	6			V
I _{sync}	SYNC input current				3	mA
PREDICTION SECTION						
V _{pred}		Pin1=15K Ω		1.25		V
T _d	Propagation delay	Pin1=15K Ω		120		nS
T _{pred}	Dead time	Pin1=15K Ω		450		
T _r	Rise time			11		
T _f	Fall time			8		
SR MOSFET SECTION						
BV _{dss}	MOSFET Drain-Source Breakdown Voltage	V _{GS} =0V, I _D =250uA	45			V
R _{ds(on)}	On Resistance	V _{GS} =4.5V, I _D =8A		10	14	m Ω
C _{iss}	Input Capacitance	V _{ds} =20V, V _{gs} =0V, f=1MHz		942		pF
C _{oss}	Output Capacitance			309		
C _{rss}	Reverse Transfer Capacitance			29		
T _{d(on)}	Turn On Time	V _{ds} =20V, I _d =10A, V _{gs} =10V,		6		nS
T _{d(off)}	Turn Off Time	R _g =10 Ω		21		



SP6037

High Performance Synchronous Rectifying Converter

SOP-8 PACKAGE OUTLINE



SYMBOL	MIN	NOM	MAX
A	1.35	--	1.75
A1	0.10	--	0.25
A2	1.25	1.40	1.65
A3	0.50	0.60	0.70
b	0.33	-	0.51
c	0.17	--	0.25
D	4.80	4.93	5.05
E	5.80	6.00	6.20
E1	3.80	3.90	4.00
e	1.17	1.27	1.37
L	0.45	0.60	0.80
L1	1.04 REF		
L2	0.25BSC		
R	0.07	--	--
R1	0.07	--	0.20
h	0.25	--	0.50
θ	0°	--	8°
$\theta 1$	15°	17°	19°
$\theta 2$	11°	13°	15°
$\theta 3$	15°	17°	19°
$\theta 4$	11°	13°	15°



SP6037

High Performance Synchronous Rectifying Converter

Information provided is alleged to be exact and consistent. SYNC Power Corporation presumes no responsibility for the penalties of use of such information or for any violation of patents or other rights of third parties, which may result from its use. No license is granted by allegation or otherwise under any patent or patent rights of SYNC Power Corporation. Conditions mentioned in this publication are subject to change without notice. This publication surpasses and replaces all information previously supplied. SYNC Power Corporation products are not authorized for use as critical components in life support devices or systems without express written approval of SYNC Power Corporation.

© The SYNC Power logo is a registered trademark of SYNC Power Corporation

© 2018 SYNC Power Corporation – Printed in Taiwan – All Rights Reserved

SYNC Power Corporation

7F-2, No.3-1, Park Street

NanKang District (NKSP), Taipei, Taiwan, 115, R.O.C

Phone: 886-2-2655-8178

Fax: 886-2-2655-8468

<http://www.syncpower.com>