



SP6038A

High Performance Synchronous Rectifying Converter

DESCRIPTION

SP6038A is a high performance and tightly integrated secondary side synchronous rectifier for switching mode power supply system. It combines a much lower voltage drop N-channel MOSFET to emulate the traditional diode rectifier at the secondary side of Flyback converter, The fundamental of SP6038A synchronous rectifier (SR) driver IC is based on our U.S. patented methods that utilize the principle of “prediction” logic circuit. The IC deliberates previous cycle timing to control the SR in present cycle by “predictive” algorithm that makes adjustments to the turn-off time, in order to achieve maximum efficiency and avoid cross-conduction at the same time. The SP6038A is capable to adapt in almost all existing Resonance converters with few adjustments considered necessary.

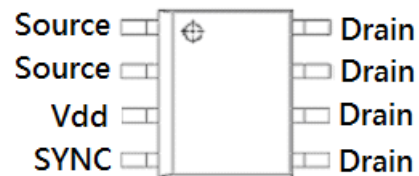
APPLICATIONS

- Switching Mode Power Supply (CCM&DCM&QR)
- Storage area network power supplies
- Telecommunication converters
- Embedded systems
- Industrial & commercial systems using high current processors
- Power converters to meet Lot 6 requirement

FEATURES

- Offers efficiency improvement over Schottky Diode (depends on drive configuration of the SR).
- Low Standby Power to meet DOE Lot 6 requirement.
- Secondary-side synchronous rectifier optimized for output system.
- Build-in 100V SR MOSFET with low Rdson
- Operating frequency up to 300 KHz.
- Synchronize to transformer secondary voltage waveform.
- Internal over voltage protection

PIN CONFIGURATION (SOP-8)



PART MARKING

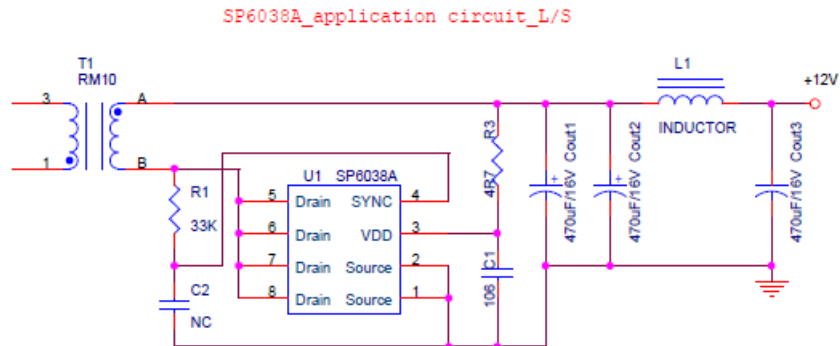




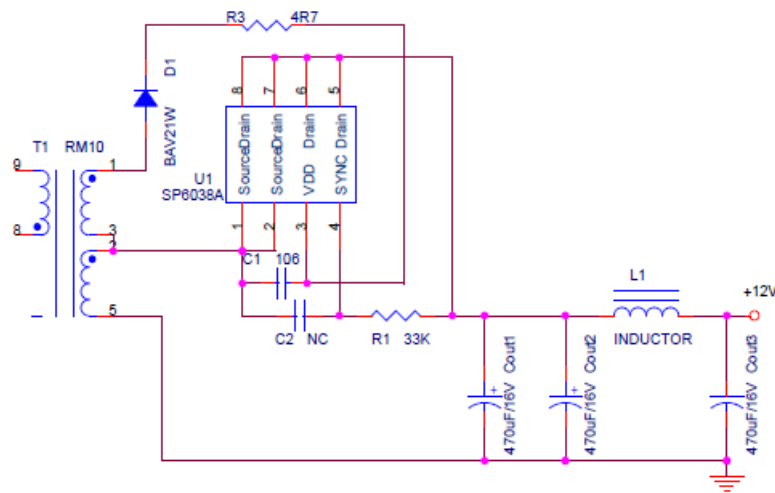
SP6038A

High Performance Synchronous Rectifying Converter

TYPICAL APPLICATION CIRCUIT



SP6038A_application circuit_H/S with AUX winding



PIN DESCRIPTION

Pin	Symbol	Description
1	Source	Internal MOSFET Source
2	Source	Internal MOSFET Source
3	Vdd	DC supply voltage.
4	SYNC	Synchronized signal from Vds of SR MOSFET
5	Drain	Internal MOSFET drain
6	Drain	Internal MOSFET drain
7	Drain	Internal MOSFET drain
8	Drain	Internal MOSFET drain

ORDERING INFORMATION

Part Number	Package	Part Marking
SP6038AS8RGB	SOP-8	SP6038A

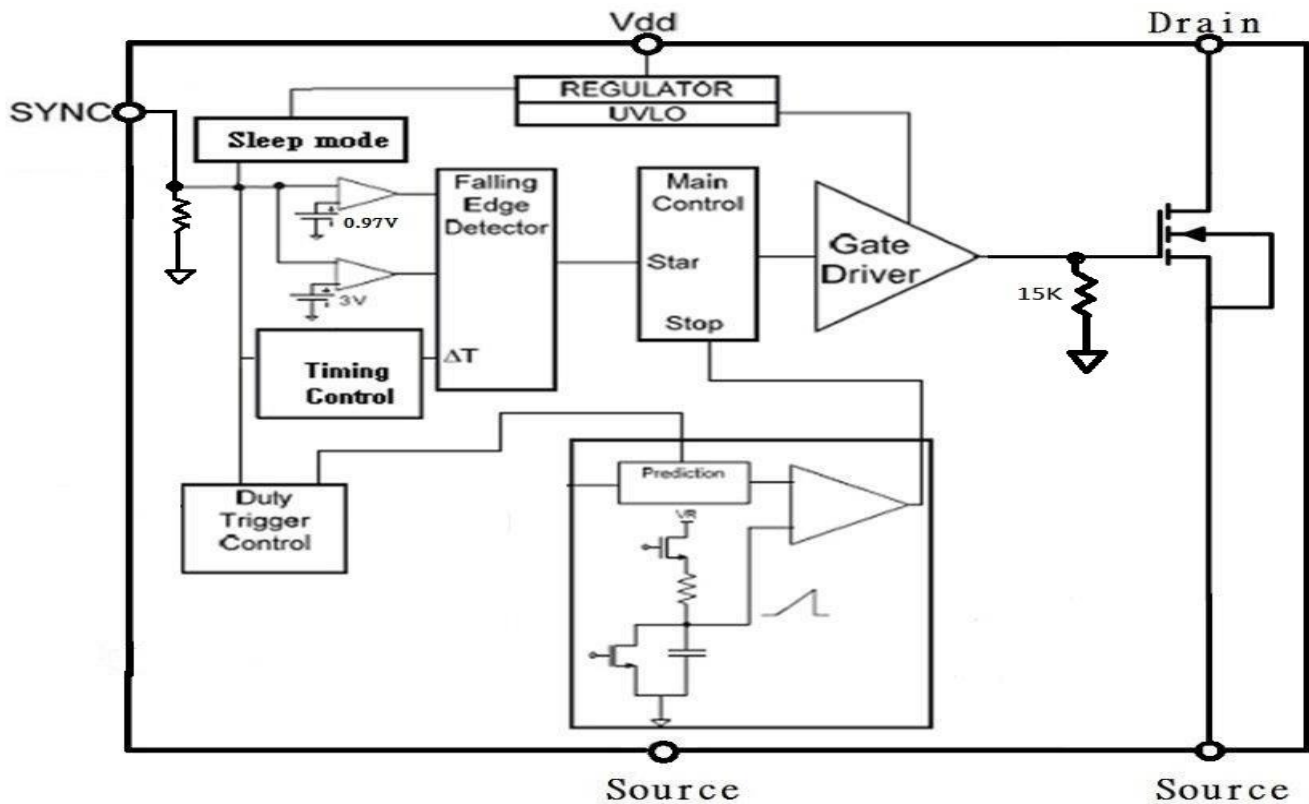
※ SP6038AS8RGB : Tape Reel ; Pb – Free ; Halogen - Free



SP6038A

High Performance Synchronous Rectifying Converter

BLOCK DIAGRAM



ABSOLUTE MAXIMUM RATINGS (TA=25°C, unless otherwise specified.)

The following ratings designate persistent limits beyond which damage to the device may occur.

Symbol	Parameter	Value	Unit
V _{dd}	DC Supply Voltage	16	V
V _d to V _s	Drain to Source	100	V
P _D	Power Dissipation @ T _A =85°C (*)	0.3	W
T _J	Operating Junction Temperature Range	-40 to 125	°C
T _{STG}	Storage Temperature Range	-40 to 150	°C
T _{LEAD}	Lead Soldering Temperature for 5 sec.	260	°C

THERMAL RESISTANCE

Symbol	Parameter	Value	Unit
R _{θJA}	Thermal Resistance-Junction to Ambient (*)	110	°C/W

(*) The power dissipation and thermal resistance are evaluated under copper board mounted with free air conditions.



SP6038A

High Performance Synchronous Rectifying Converter

ELECTRICAL CHARACTERISTICS

(T_A=25°C, V_{dd}=5V, Freq. =50 KHz, Duty Cycle=50%, unless otherwise specified.)

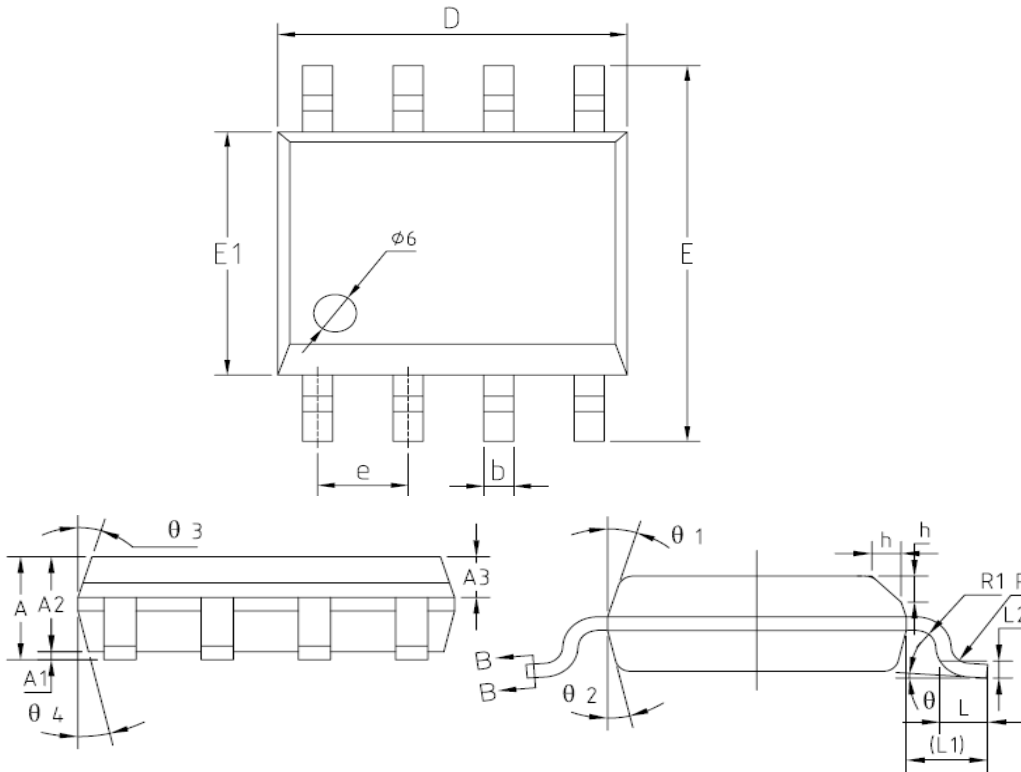
Symbol	Parameter	Conditions	Min.	Typ.	Max.	Unit
SUPPLY INPUT						
I _{dd}	Supply current	No load & Sleep mode		0.2	0.35	mA
		V _{SYNC} =V _{dd} , No load	2.0	3.0	4.0	mA
V _{dd}	Supply voltage	I _{dd peak} < 1A	4.3		16	V
V _{dd on}	Enable voltage		3.35	3.7	4.1	V
V _{dd hysteresis}	Enable voltage			0.2		V
V _{ovp}	Over voltage protection		17	17.5	18.5	V
V _{OVp hysteresis}	Enable voltage			0.67		V
SYNC REFERENCE (SYNC)						
V _{shth}	SYNC high threshold			3.0		V
V _{slth}	SYNC low threshold			0.9		V
V _{sync}	SYNC clamp voltage	I _{sync} =3mA	V _{dd} +1.5			V
V _{sync WK}	SYNC wake-up voltage	Pulse width >1uS for V _{dd} =5V	6			V
I _{sync}	SYNC input current				3	mA
Dynamic Protect						
D _t	Dynamic variable			5.1		uS
T _{on-min}	MOSG-C on time	PWM adjusts time > D _t	0.4		0.7	uS
SR MOSFET SECTION						
B _{Vdss}	MOSFET Drain-Source Breakdown Voltage	V _{GS} =0V, I _D =250uA	100			V
R _{ds(on)}	Drain-Source On-Resistance	V _{GS} =10V, I _D =20A		8	9.8	mΩ
C _{iss}	Input Capacitance	V _{DS} =50V, V _{GS} =0V f=1MHz		1450		pF
C _{oss}	Output Capacitance			273		
C _{rss}	Reverse Transfer Capacitance			5		
T _{d(on)}	Turn On Time	V _{DD} =50V, I _D =20A, V _{GS} =10V		6		nS
T _{d(off)}	Turn Off Time	R _G =10Ω		18		



SP6038A

High Performance Synchronous Rectifying Converter

SOP-8 PACKAGE OUTLINE



SYMBOL	MIN	NOM	MAX
A	1.35	--	1.75
A1	0.10	--	0.25
A2	1.25	1.40	1.65
A3	0.50	0.60	0.70
b	0.33	-	0.51
c	0.17	--	0.25
D	4.80	4.93	5.05
E	5.80	6.00	6.20
E1	3.80	3.90	4.00
e	1.17	1.27	1.37
L	0.45	0.60	0.80
L1	1.04 REF		
L2	0.25BSC		
R	0.07	--	--
R1	0.07	--	0.20
h	0.25	--	0.50
θ	0°	--	8°
θ 1	15°	17°	19°
θ 2	11°	13°	15°
θ 3	15°	17°	19°
θ 4	11°	13°	15°



SP6038A

High Performance Synchronous Rectifying Converter

Information provided is alleged to be exact and consistent. SYNC Power Corporation presumes no responsibility for the penalties of use of such information or for any violation of patents or other rights of third parties, which may result from its use. No license is granted by allegation or otherwise under any patent or patent rights of SYNC Power Corporation. Conditions mentioned in this publication are subject to change without notice. This publication surpasses and replaces all information previously supplied. SYNC Power Corporation products are not authorized for use as critical components in life support devices or systems without express written approval of SYNC Power Corporation.

© The SYNC Power logo is a registered trademark of SYNC Power Corporation

© 2019 SYNC Power Corporation – Printed in Taiwan – All Rights Reserved

SYNC Power Corporation

7F-2, No.3-1, Park Street

NanKang District (NKSP), Taipei, Taiwan, 115, R.O.C

Phone: 886-2-2655-8178

Fax: 886-2-2655-8468

<http://www.syncpower.com>