



SP6562A

Power Factor Controller IC

DESCRIPTION

SP6562A is an active transition-mode (TM) power factor correction (PFC) controller for AC-DC switching mode power supply applications.

SP6562A features an internal start-up timer for standalone applications, a one quadrant multiplier with THD optimizer for near unity power factor, zero current detector (ZCD) to ensure TM operation, a current sensing comparator with built-in leading-edge blanking, and a totem pole output ideally suited for driving a power MOSFET.

SP6562A offers great protection coverage including system over-voltage protection (OVP) to eliminate runaway output voltage due to load removal, VCC under voltage lockout (UVLO), multiplier output clamping that limit maximum peak switch current, and gate drive output clamping for external power MOSFET protection. with added system open loop protection feature, shuts down system when the feedback loop is open.

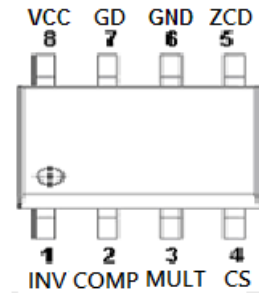
FEATURES

- Transition Mode (TM) Operation
- Low Total Harmonic Distortion(THD)
- Precise Adjustable Output Over-Voltage Protection
- Open-Feedback Protection and Disable Function
- Zero Current Detector
- Internal Start up timer
- Under-Voltage Lockout with 2.5V Hysteresis
- Low Start-up (30μA)
- Low (2.2mA) quiescent current
- 1.4% internal reference voltage
- -600/+800mA totem pole gate driver with active pull-down during UVLO and voltage clamp
- SOP-8 Package

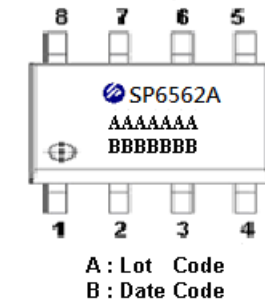
APPLICATIONS

- AC/DC Switching Power Adaptor
- PC Power Supply
- LCD TV Power Supply
- Electronic Ballast

PIN CONFIGURATION(SOP-8)



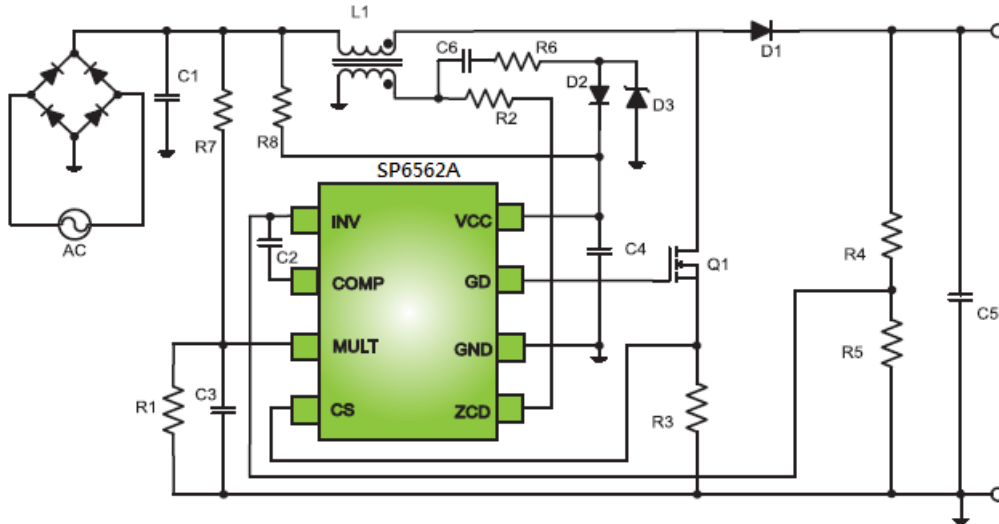
PART MARKING





SP6562A Power Factor Controller IC

TYPICAL APPLICATION CIRCUIT FOR HIGH EFFICIENCY SMPS



PIN DESCRIPTION

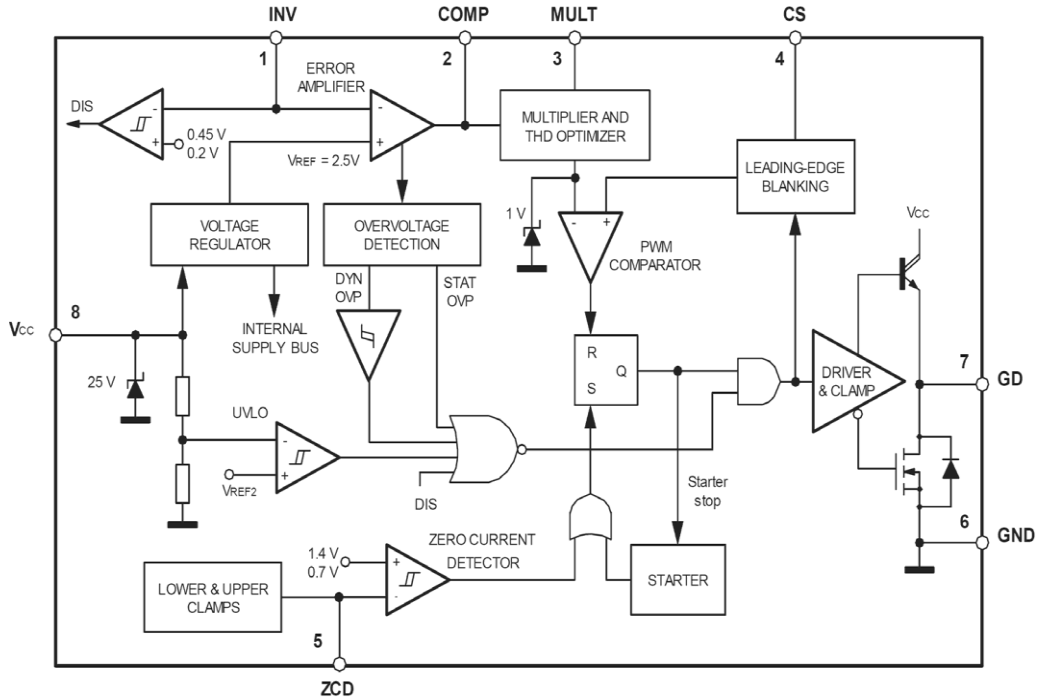
Pin	Symbol	Description
1	INV	Inverting input of the error amplifier. The information on the output voltage of the PFC pre-regulator is fed into this pin through a resistor divider. The pin doubles as an ON/OFF control input.
2	COMP	Output of the error amplifier. A compensation network is placed between this pin and INV to achieve stability of the voltage control loop and ensure high power factor and low THD.
3	MULT	Main input to the multiplier. This pin is connected to the rectified mains voltage via a resistor divider and provides the sinusoidal reference to the current loop.
4	CS	Input to the PWM comparator. The current flowing in the MOSFET is sensed through a resistor, the resulting voltage is applied to this pin and compared with an internal sinusoidal-shaped reference, generated by the multiplier, to determine MOSFET's turn-off. The pin is equipped with 200 ns leading-edge blanking for improved noise immunity.
5	ZCD	Boost inductor's demagnetization sensing input for transition-mode operation. A negative-going edge triggers MOSFET's turn-on.
6	GND	Ground. Current return for both the signal part of the IC and the gate driver.
7	GD	Gate driver output. The totem pole output stage is able to drive power MOSFET's and IGBT's with a peak current of 600 mA source and 800 mA sink. The high-level voltage of this pin is clamped at about 12V to avoid excessive gate voltages in case the pin is supplied with a high Vcc.
8	Vcc	Supply Voltage of both the signal part of the IC and the gate driver. The supply voltage upper limit is extended to 22V min. to provide more headroom for supply voltage changes.



SP6562A

Power Factor Controller IC

BLOCK DIAGRAM



ORDERING INFORMATION

Part Number	Package	Part Marking
SP6562AS8RGB	SOP-8	SP6562A

※ SP6562AS8RGB : Tape Reel ; Pb – Free ; Halogen-Free

ABSOLUTE MAXIMUM RATINGS (T_A=25°C, unless otherwise specified.)

The following ratings designate persistent limits beyond which damage to the device may occur.

Symbol	Parameter	Value	Unit
V _{CC}	DC Supply Voltage (I _{CC} ≤ 20mA)	Self-limited	V
I _{GD}	Output totem pole peak current	Self-limited	A
	Analog inputs & outputs Voltage	-0.3 ~ 8.0	V
I _{ZCD}	Zero current detector max. current	±10	mA
T _{ope}	Operating Ambient Temperature	-40 ~ 85	°C
T _J	Operating Junction Temperature Range	-40 ~ 150	°C
T _{STG}	Storage Temperature Range	-55 ~ 150	°C
T _{LEAD}	Pb-Free Lead Soldering Temperature for 5 sec.	260	°C
R _{ΘJA}	Thermal Resistance Junction – Ambient	150	°C/W



SP6562A

Power Factor Controller IC

ELECTRICAL CHARACTERISTICS

(-25°C < T_J < +125°C, V_{CC} = 12V, C_o = 1nF; unless otherwise specified.)

Symbol	Parameter	Conditions	Min.	Typ.	Max.	Unit
Supply Voltage (V_{CC} Pin)						
V _{CC}	Operating range	After turn-on	10.5		22.5	V
V _{CCOn}	Turn-on threshold	(1)	11.2	12.5	13.3	V
V _{CCOff}	Turn-off threshold	(1)	9.0	10	10.5	V
Hys	Hysteresis		2.0		2.8	V
V _Z	Zener Voltage	I _{CC} = 20mA	22.5	25	28	V
Supply Current						
I _{start-up}	Start-up current	Before turn-on, V _{CC} = 11V		30	60	μA
I _q	Quiescent current	After turn-on		2.2	3.75	mA
I _{CC}	Operating supply current	@ 70kHz		3.5	5	mA
I _q	Quiescent current	During OVP (either static or dynamic) or V _{INV} ≤ 150mV		1.7	2.5	mA
Multiplier Input						
I _{MULT}	Input bias current	V _{MULT} = 0 to 4V			-1	μA
V _{MULT}	Linear operation range		0 to 3			V
$\frac{\Delta V_{CS}}{\Delta V_{MULT}}$	Output max. slope	V _{MULT} = 0 to 1V, V _{COMP} = Upper clamp	1	1.1		V/V
K			Gain (2)	V _{MULT} = 1V, V _{COMP} = 4V,	0.31	0.38
Error Amplifier						
V _{INV}	Voltage feedback input threshold	T _J = 25 °C	2.470	2.5	2.530	V
		10.5V < V _{CC} < 22.5V (1)	2.455		2.545	
	Line regulation	V _{CC} = 10.5V to 22.5V		2	5	mV
I _{INV}	Input bias current	V _{INV} = 0 to 3V			-1	μA
G _v	Voltage gain	Open loop	60	80		dB
GB	Gain-bandwidth product			1		MHz
I _{COMP}	Source current	V _{COMP} = 4V, V _{INV} = 2.4V	-2	-3.5	-5	mA
	Sink current	V _{COMP} = 4V, V _{INV} = 2.6V	2.5	4.5		mA
V _{COMP}	Upper clamp voltage	I _{SOURCE} = 0.5mA	5.3	5.7	6	V
	Lower clamp voltage	I _{SINK} = 0.5mA (1)	2.1	2.25	2.4	V
V _{INVdis}	Disable threshold		150	200	250	mV
V _{INVen}	Restart threshold		380	450	520	mV
Output Overvoltage						
I _{OVP}	Dynamic OVP triggering current		23.5	27	30.5	μA
Hys	Hysteresis	(3)		20		μA
	Static OVP threshold	(1)	2.1	2.25	2.4	V



SP6562A

Power Factor Controller IC

ELECTRICAL CHARACTERISTICS

(-25°C < T_J < +125°C, V_{CC} = 12V, C_o = 1nF; unless otherwise specified.)

Symbol	Parameter	Conditions	Min.	Typ.	Max.	Unit
Current sense comparator						
I _{CS}	Input bias current	V _{CS} = 0			-1	μA
t _{LEB}	Leading edge blanking		100	200	300	nS
t _{d(H-L)}	Delay to output			175		nS
V _{CS}	Current sense clamp	V _{COMP} = Upper clamp, V _{mult} = 1.5V	1.0	1.08	1.16	V
V _{cs_offset}	Current sense offset	V _{MULT} = 0		25		mV
		V _{MULT} = 2.5V		5		
Zero current detector						
V _{ZCDH}	Upper clamp voltage	I _{ZCD} = 2.5mA	5.0	5.7	6.5	V
V _{ZCDL}	Lower clamp voltage	I _{ZCD} = - 2.5mA	-0.3	0	0.3	V
V _{ZCDA}	Arming voltage (positive-going edge)	(3)		1.4		V
V _{ZCDT}	Triggering voltage (negative-going edge)	(3)		0.7		V
I _{ZCDb}	Input bias current	V _{ZCD} = 1 to 4.5V		2		μA
I _{ZCDsrc}	Source current capability		-2.5			mA
I _{ZCDsnk}	Sink current capability		2.5			mA
Starter						
t _{START}	Start timer period		75	190	300	μS
Gate driver						
V _{OL}	Output low voltage	I _{sink} = 100mA		0.6	1.2	V
V _{OH}	Output high voltage	I _{source} = 5mA	9.0	9.5		V
I _{srcpk}	Peak source current		-0.6			A
I _{snkpk}	Peak sink current		0.8			A
t _f	Voltage fall time			60	100	nS
t _r	Voltage rise time			100	150	nS
V _{Oclamp}	Output clamp voltage	I _{source} = 5mA; V _{cc} = 20 V	10	12	15	V
	UVLO saturation	V _{cc} = 0 to V _{CCOn} , I _{sink} = 2 mA			1.1	V

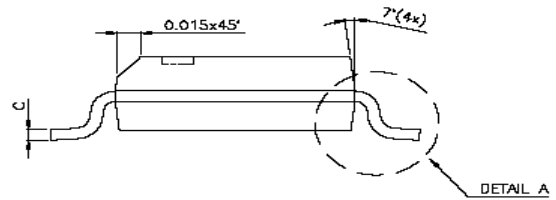
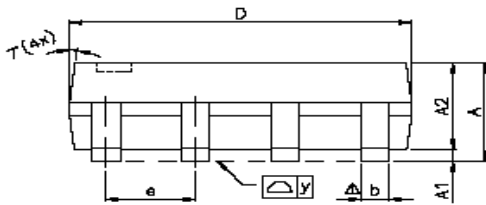
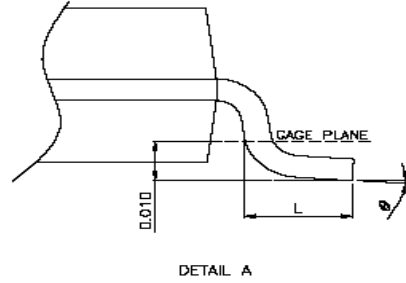
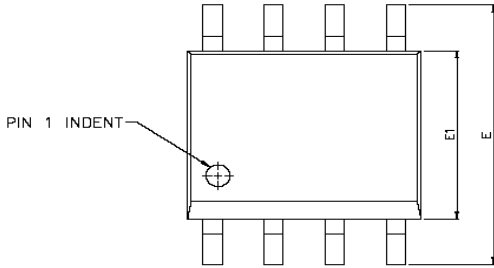
1. All the parameters are in tracking
2. The multiplier output is given by: $V_{CS} = K \cdot V_{MULTX} \cdot (V_{COMP}-2.5)$
3. Parameters guaranteed by design , functionality tested in production



SP6562A

Power Factor Controller IC

SOP-8 PACKAGE OUTLINE



SYMBOLS	DIMENSIONS IN MILLIMETERS			DIMENSIONS IN INCHES		
	MIN	NOM	MAX	MIN	NOM	MAX
A	1.47	1.60	1.73	0.058	0.063	0.068
A1	0.10	—	0.25	0.004	—	0.010
A2	—	1.45	—	—	0.057	—
b	0.33	0.41	0.51	0.013	0.016	0.020
C	0.19	0.20	0.25	0.0075	0.008	0.0098
D	4.80	4.85	4.95	0.189	0.191	0.195
E	5.80	6.00	6.20	0.228	0.236	0.244
E1	3.80	3.90	4.00	0.150	0.154	0.157
e	—	1.27	—	—	0.050	—
L	0.38	0.71	1.27	0.015	0.028	0.050
Δ y	—	—	0.076	—	—	0.003
θ	0°	—	8°	0°	—	8°



SP6562A

Power Factor Controller IC

Information provided is alleged to be exact and consistent. SYNC Power Corporation presumes no responsibility for the penalties of use of such information or for any violation of patents or other rights of third parties that may result from its use. No license is granted by allegation or otherwise under any patent or patent rights of SYNC Power Corporation. Conditions mentioned in this publication are subject to change without notice. This publication surpasses and replaces all information previously supplied. SYNC Power Corporation products are not authorized for use as critical components in life support devices or systems without express written approval of SYNC Power Corporation.

© The SYNC Power logo is a registered trademark of SYNC Power Corporation

© 2018 SYNC Power Corporation – Printed in Taiwan – All Rights Reserved

SYNC Power Corporation

7F-2, No.3-1, Park Street

NanKang District (NKSP), Taipei, Taiwan, 115, R.O.C

Phone: 886-2-2655-8178

Fax: 886-2-2655-8468

<http://www.syncpower.com>