



SPN8636 N-Channel Enhancement Mode MOSFET

DESCRIPTION

The SPN8636 is the N-Channel logic enhancement mode power field effect transistors are produced using high cell density, DMOS trench technology. The SPN8636 has been designed specifically to improve the overall efficiency of DC/DC converters using either synchronous or conventional switching PWM controllers. It has been optimized for low gate charge, low $R_{DS(ON)}$ and fast switching speed.

FEATURES

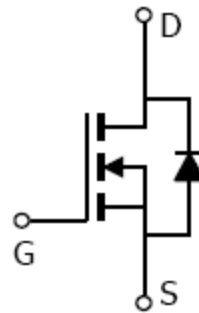
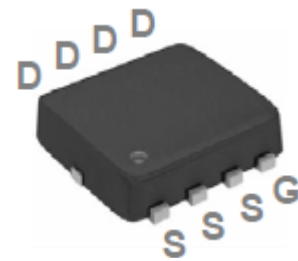
- ◆ 30V/80A, $R_{DS(ON)}=6.0m\Omega@V_{GS}=10V$
- ◆ 30V/80A, $R_{DS(ON)}=9.0m\Omega@V_{GS}=4.5V$
- ◆ Super high density cell design for extremely low $R_{DS(ON)}$
- ◆ Exceptional on-resistance and maximum DC current capability
- ◆ PPAK3x3-8L package design

APPLICATIONS

- High Frequency Synchronous Buck Converter
- DC/DC Power System
- Load Switch

PIN CONFIGURATION

PPAK3x3-8L



PART MARKING





SPN8636

N-Channel Enhancement Mode MOSFET

PPAK3x3-8L PIN DESCRIPTION

Pin	Symbol	Description
1	S	Source
2	S	Source
3	S	Source
4	G	Gate
5	D	Drain
6	D	Drain
7	D	Drain
8	D	Drain

ORDERING INFORMATION

Part Number	Package	Part Marking
SPN8636DN8RGB	PPAK3x3-8L	SPN8636

※ SPN8636DN8RGB : Tape Reel ; Pb – Free ; Halogen - Free

ABSOLUTE MAXIMUM RATINGS

(TA=25°C Unless otherwise noted)

Parameter	Symbol	Typical	Unit
Drain-Source Voltage	V _{DSS}	30	V
Gate –Source Voltage	V _{GSS}	±20	V
Continuous Drain Current(Silicon Limited)	I _D	T _C =25°C	80
		T _C =100°C	57
Pulsed Drain Current	I _{DM}	160	A
Avalanche Current	I _{AS}	50	A
Single Pulse Avalanche Energy	E _{AS}	180	mJ
Power Dissipation	P _D	83	W
Operating Junction Temperature	T _J	150	°C
Storage Temperature Range	T _{STG}	-55/150	°C
Thermal Resistance-Junction to Case	R _{θJC}	1.5	°C/W



SPN8636

N-Channel Enhancement Mode MOSFET

ELECTRICAL CHARACTERISTICS

(TA=25°C Unless otherwise noted)

Parameter	Symbol	Conditions	Min.	Typ	Max.	Unit
Static						
Drain-Source Breakdown Voltage	$V_{(BR)DSS}$	$V_{GS}=0V, I_D=250\mu A$	30			V
Gate Threshold Voltage	$V_{GS(th)}$	$V_{DS}=V_{GS}, I_D=250\mu A$	1.0		2.5	V
Gate Leakage Current	I_{GSS}	$V_{DS}=0V, V_{GS}=\pm 20V$			± 100	nA
Zero Gate Voltage Drain Current	I_{DSS}	$V_{DS}=24V, V_{GS}=0V$			1	uA
		$V_{DS}=24V, V_{GS}=0V, T_J=55^\circ C$			5	
On-State Drain Current	$I_{D(on)}$	$V_{DS}\geq 5V, V_{GS}=10V$			80	A
Drain-Source On-Resistance	$R_{DS(on)}$	$V_{GS}=10V, I_D=20A$		4.7	6.0	mΩ
		$V_{GS}=4.5V, I_D=10A$		6.5	9.0	
Forward Transconductance	g_{fs}	$V_{DS}=5V, I_D=30A$		22		S
Diode Forward Voltage	V_{SD}	$I_S=1A, V_{GS}=0V$			1	V
Dynamic						
Total Gate Charge	Q_g	$V_{DS}=15V, V_{GS}=4.5V$ $I_D=15A$		20	18	nC
Gate-Source Charge	Q_{gs}			7.6		
Gate-Drain Charge	Q_{gd}			7.2		
Input Capacitance	C_{iss}	$V_{DS}=15V, V_{GS}=0V$ $f=1MHz$		2300		pF
Output Capacitance	C_{oss}			265		
Reverse Transfer Capacitance	C_{rss}			210		
Turn-On Time	$t_{d(on)}$	$V_{DD}=15V,$ $I_D=15A, V_{GEN}=10V$ $R_G=3.3\Omega$		7.8	15	nS
	t_r			15	12	
Turn-Off Time	$t_{d(off)}$			37	30	
	t_f			10.6	15	



SPN8636 N-Channel Enhancement Mode MOSFET

TYPICAL CHARACTERISTICS

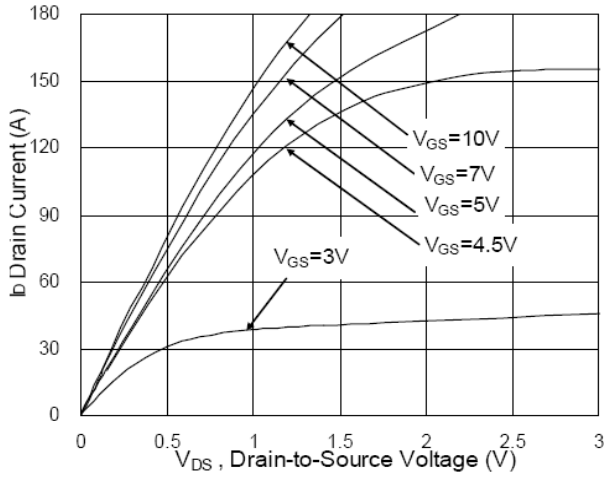


Fig. 1 Typical Output Characteristics

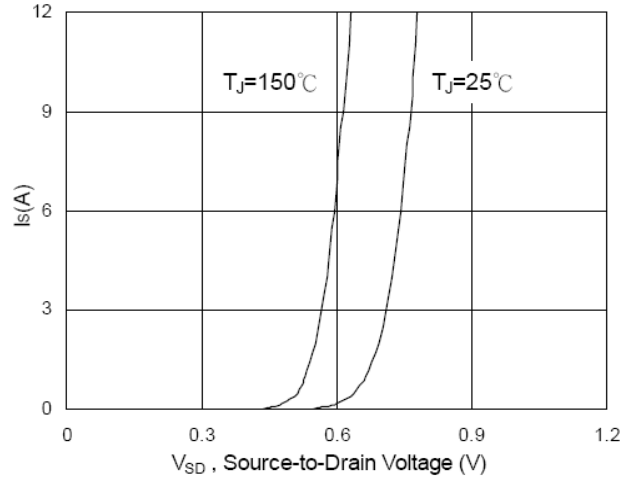


Fig. 2 Transfer Characteristics

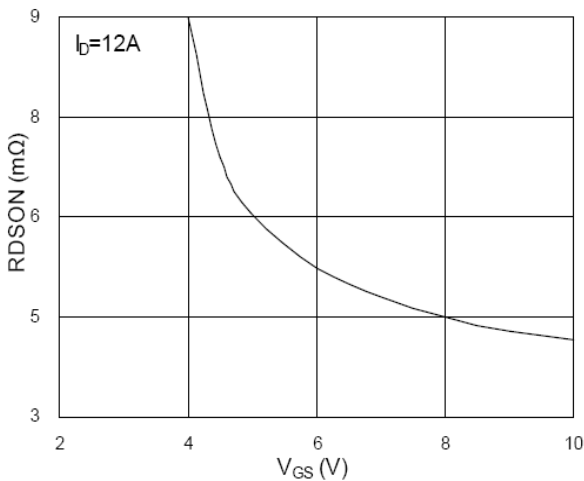


Fig. 3 On-Resistance vs Gate voltage

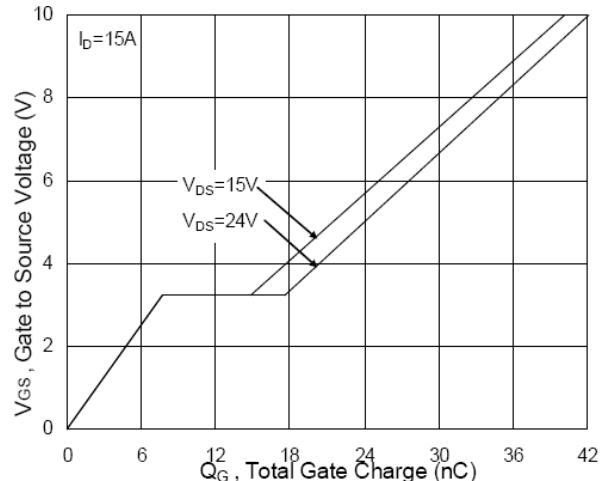


Fig. 4 Gate Charge Characteristics

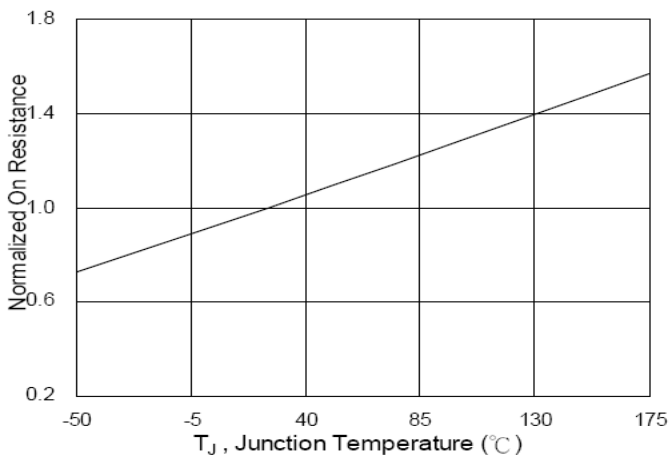


Fig. 5 On-Resistance vs Junction Temp

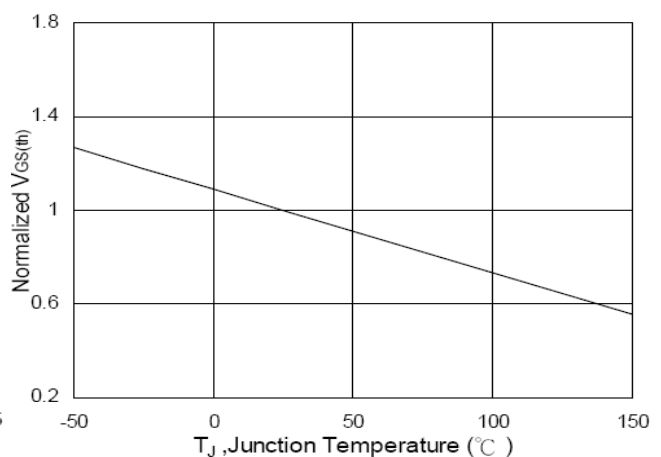


Fig. 6 Vgs vs Junction Temperature



SPN8636 N-Channel Enhancement Mode MOSFET

TYPICAL CHARACTERISTICS

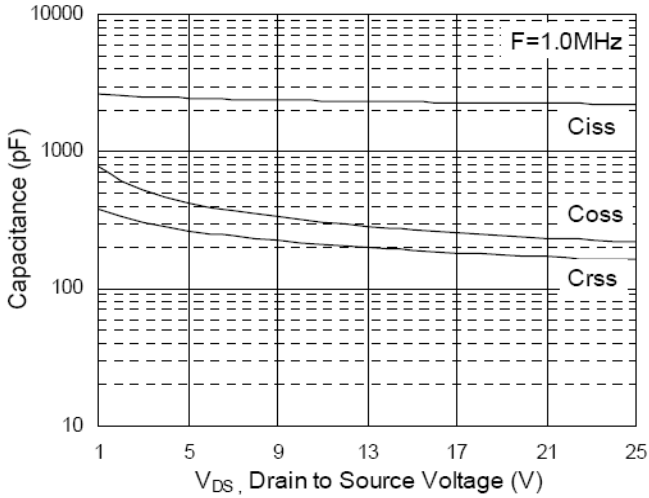


Fig. 7 Typical Capacitance Characteristics

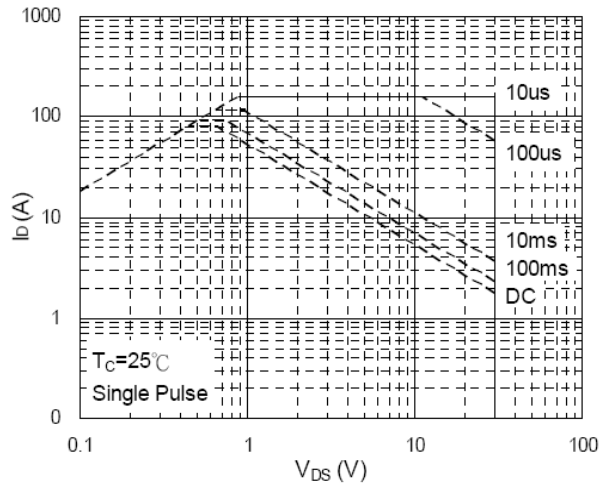


Fig. 8 Maximum Safe Operation Area

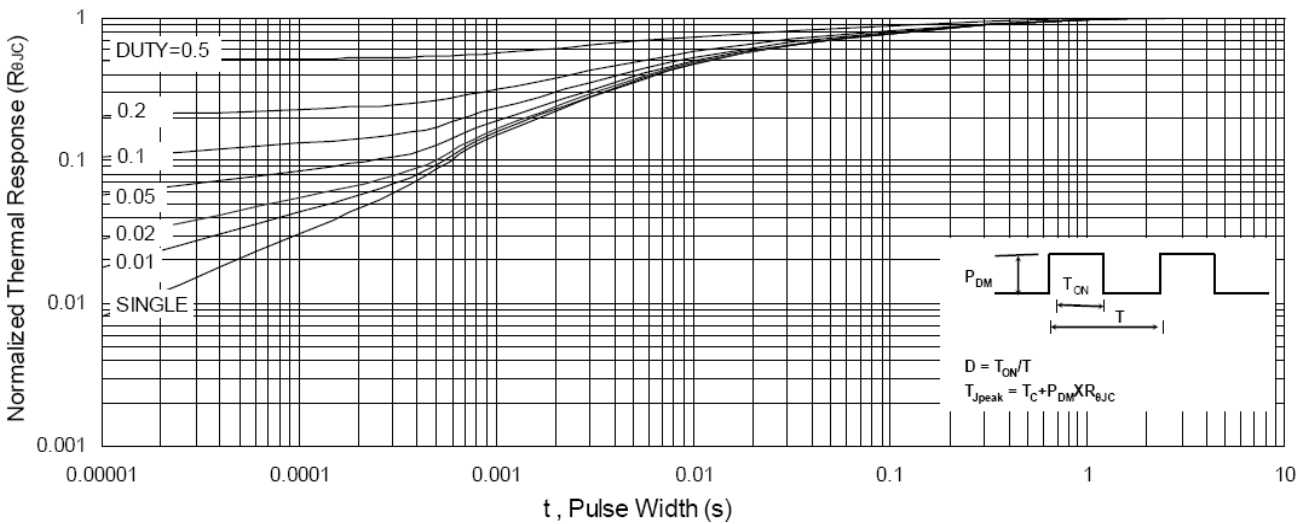


Fig. 9 Effective Transient Thermal Impedance

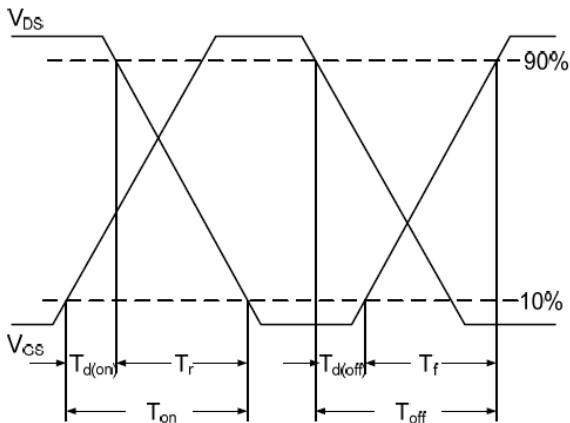


Fig. 10 Switching Time Waveform

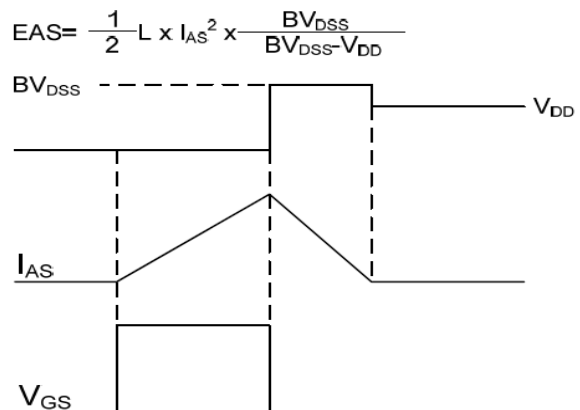


Fig. 11 Unclamped Inductive Waveform



SPN8636

N-Channel Enhancement Mode MOSFET

Information provided is alleged to be exact and consistent. SYNC Power Corporation presumes no responsibility for the penalties of use of such information or for any violation of patents or other rights of third parties which may result from its use. No license is granted by allegation or otherwise under any patent or patent rights of SYNC Power Corporation. Conditions mentioned in this publication are subject to change without notice. This publication surpasses and replaces all information previously supplied. SYNC Power Corporation products are not authorized for use as critical components in life support devices or systems without express written approval of SYNC Power Corporation.

© The SYNC Power logo is a registered trademark of SYNC Power Corporation

© 2020 SYNC Power Corporation – Printed in Taiwan – All Rights Reserved

SYNC Power Corporation

7F-2, No.3-1, Park Street

NanKang District (NKSP), Taipei, Taiwan 115

Phone: 886-2-2655-8178

Fax: 886-2-2655-8468

© <http://www.syncpower.com>