



SYNCPower Packaging Specification

(A) TAPE REEL

TYPE	TAPE (Inch)	EA / TAPE	TAPE / INNER BOX	EA / INNER BOX	OUTER BOX / INNER BOX	EA / OUTER BOX
SOP-8P	7"	1000	1	1000	13	13000
MSOP-10L	13"	3000	2	6000	8	48000
SOP-8P	13"	3000	2	6000	5	30000
SOP-10P	7"	1000	1	1000	13	13000
TSSOP-8P	13"	3000	2	6000	5	30000
TSOP-6P	7"	3000	10	30000	4	120000
SOT-223	13"	2500	2	5000	5	25000
SOT-23	7"	3000	10	30000	4	120000
SOT-143	7"	3000	10	30000	4	120000
SOT-23-3L	7"	3000	10	30000	4	120000
SOT-23-5L	7"	3000	10	30000	4	120000
SOT-23-6L	7"	3000	10	30000	4	120000
SOT-323	7"	3000	10	30000	4	120000
SOT-353	7"	3000	10	30000	4	120000
SOT-363	7"	3000	10	30000	4	120000
SOT-523	7"	3000	10	30000	4	120000
SOT-563	7"	3000	10	30000	4	120000
SOD-323	7"	3000	10	30000	4	120000
SOD-523	7"	3000	10	30000	4	120000
SOD-723	7"	3000	10	30000	4	120000
SOD-923	7"	3000	10	30000	4	120000
TO-252-2L	13"	2500	2	5000	5	25000
DFN3X2-8L	7"	3000	10	30000	4	120000
DFN-10	7"	3000	10	30000	4	120000
FBP-02C	7"	5000	10	50000	4	200000

(B) TUBE

TYPE	PLUG	EA / TAPE	TAPE / INNER BOX	EA / INNER BOX	INNER BOX / OUTER BOX	EA / OUTER BOX
SOP-8P	GRAY / WHITE	100	100	10000	10	100000
DIP-8P	BLUE / WHITE	60	60	3600		
TO-251	BLUE / WHITE	80	60	4800		
TO-220	BLUE / WHITE	50	40	2000	4	8000

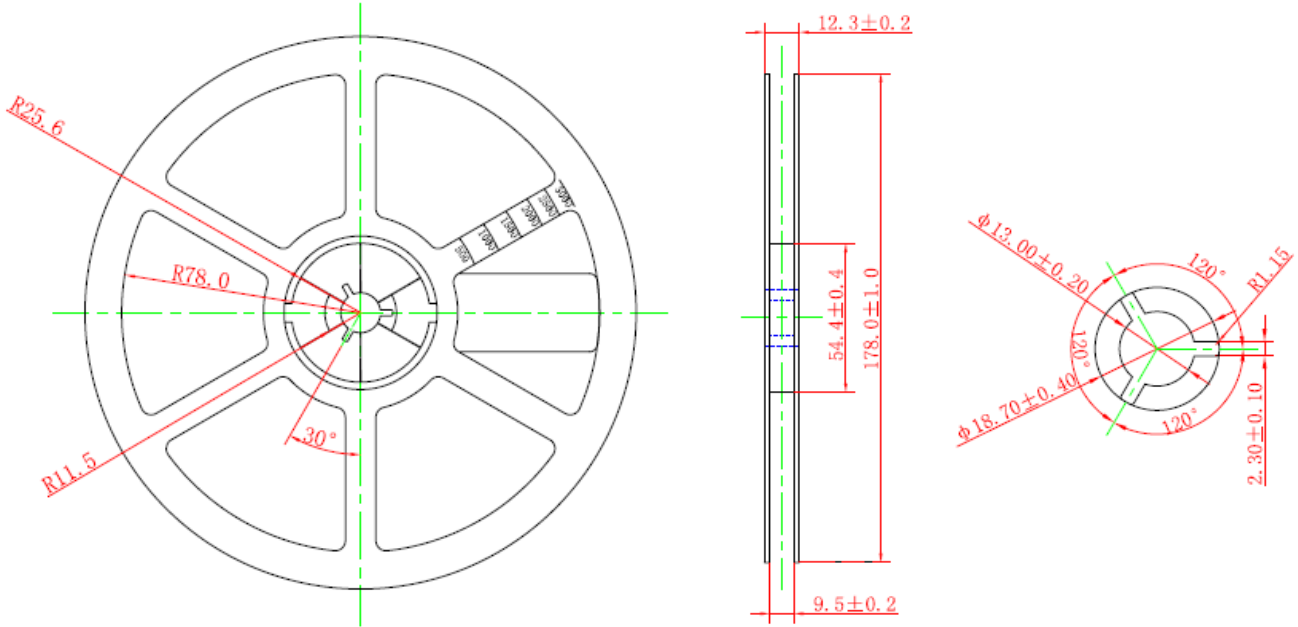
(C) TAPE AMMO

TYPE	PARTS	PACKAGE	TAPE / INNER BOX	INNER BOX / OUTER BOX	EA / OUTER BOX
TO-92	SP432	PAPER TAPE	2000	10	20000
TO-92	SP431	PAPER TAPE	3000	10	30000

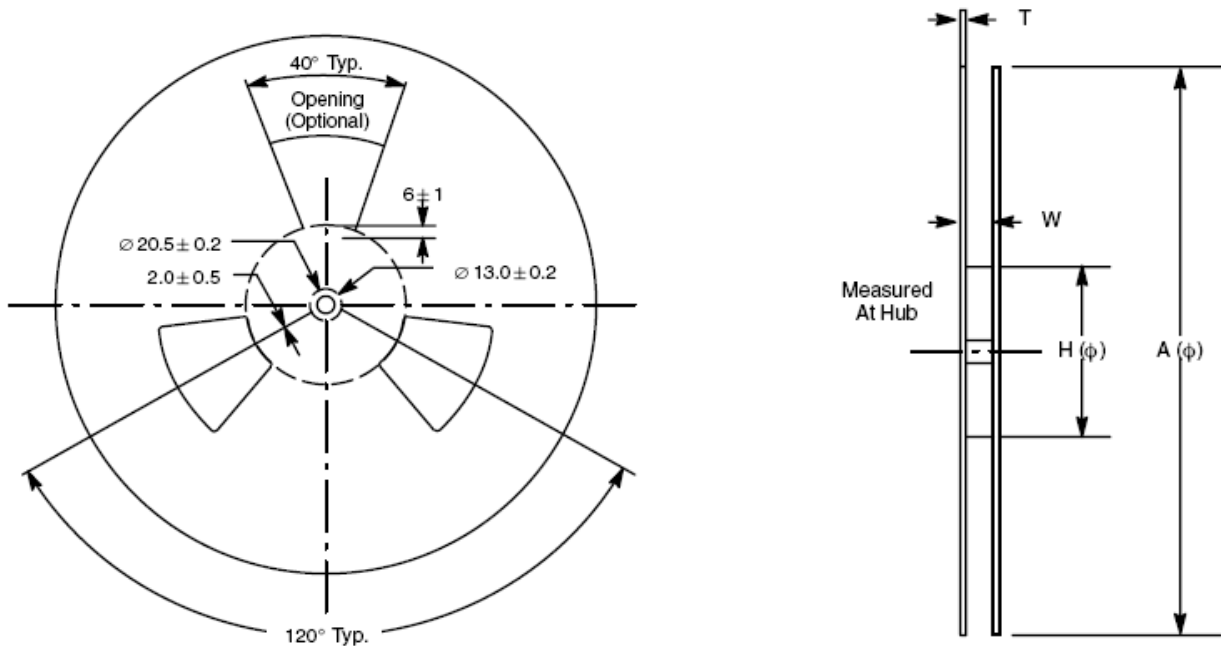


SYNCPower Packaging Specification

(I) 7" TAPE REEL OUTLINE



(II) 13" TAPE REEL OUTLINE

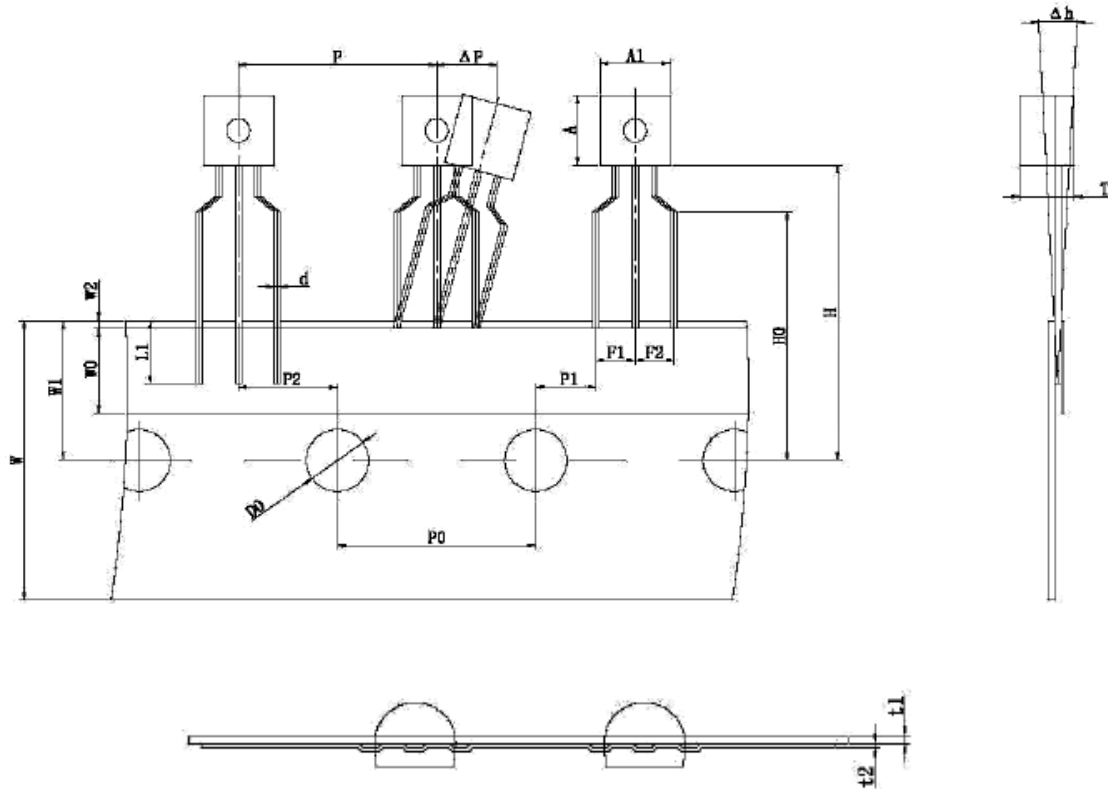


A	W	TAPE WIDTH	H	T
330 ± 2	16.4 + 2 (-0)	16	100 ± 1	2.5 ± 0.5



SYNCPower Packaging Specification

(III) TAPE AMMO OUTLINE



Item	Symbol	Value & Tolerance
Body width	A1	4.5 ± 0.1
Body height	A	4.5 ± 0.1
Body thickness	T	3.5 ± 0.1
Lead wire diameter	d	0.46 + 0.09, - 0.08
Pitch of component	P	12.7 ± 0.3
Feed hole pitch	P0	12.7 ± 0.2
Hole center to component center	P2	6.35 ± 0.3
Lead to lead distance	F1, F2	2.5 ± 0.3
Component alignment, F-R	Δh	0 ± 1.0
Type width	W	18.0 + 1.0, - 0.5
Hole down tape width	W0	6.0 ± 0.5
Hole position	W1	9.0 ± 0.5
Hole down tape position	W2	1.0 MAX
Height of component from tape center	H	19.0 + 2.0, - 0
Lead wire clinch height	H0	16.0 ± 0.5
Lead wire (tape portion)	L1	2.5 MIN
Feed hole diameter	D0	4.0 ± 0.2
Taped Lead Thickness	t1	0.4 ± 0.05
Carrier Tape Thickness	t2	0.2 ± 0.05
Position of hole	P1	3.85 ± 0.3
Component alignment	ΔP	0 ± 1.0

Unit : mm