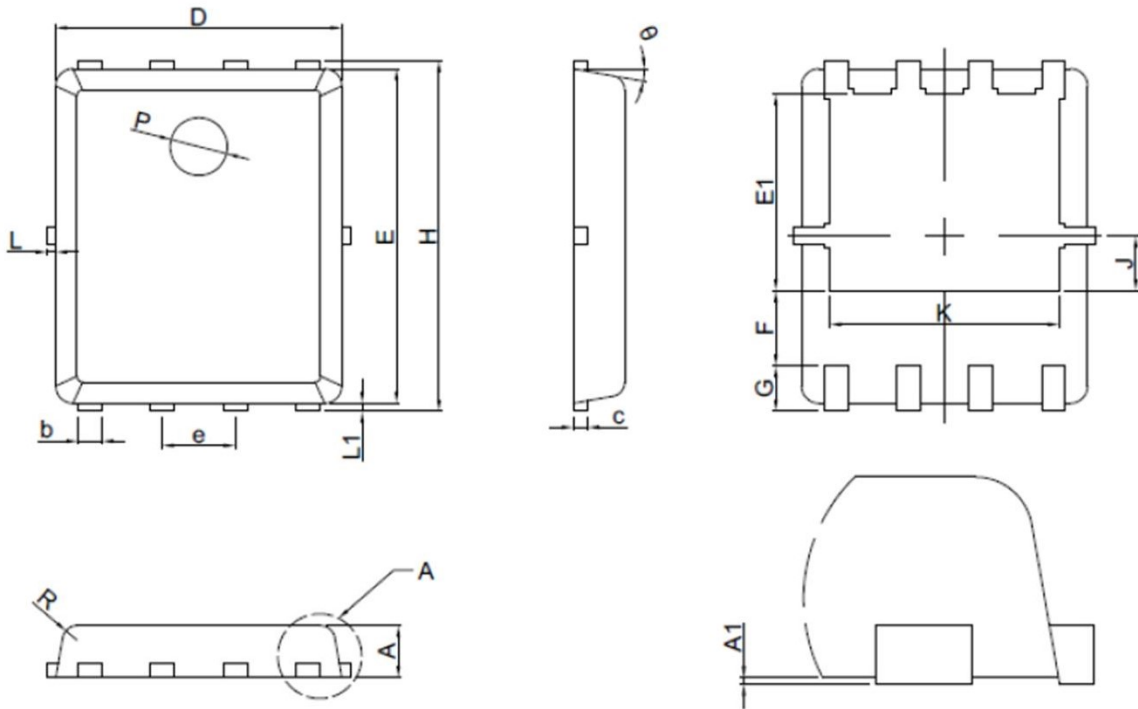




PPAK5x6-8L PACKAGE OUTLINE



(mm)

SYMBOL	MILLIMETERS		
	MIN	NOM	MAX
A	0.8	0.95	1.1
A1	0	0.03	0.05
b	0.33	0.41	0.51
c	0.254 REF		
D	4.80	4.95	5.10
F	1.40 REF		
E	5.70	5.80	5.90
e	1.27 BSC		
H	5.90	6.05	6.20
L1	0.06	0.13	0.20
G	0.60 REF		
J	0.95 BSC		
K	4.00 REF		
L	---	----	0.20
P	1.00 REF		
E1	3.40REF		
E2	0.95 REF		
θ	6°	10°	14°
R	0.25REF		