



SYNC POWER CORP.
擎力科技股份有限公司

Green Your Power. Green Our City.



擎力科技股份有限公司

MISSION

**Develop Intelligent Technologies
For
High Efficiency Power Converters**



COMPANY LOCATIONS



[Shenzhen]
FAE support team

[Taipei]
Headquarter

[Seattle]
RD design center

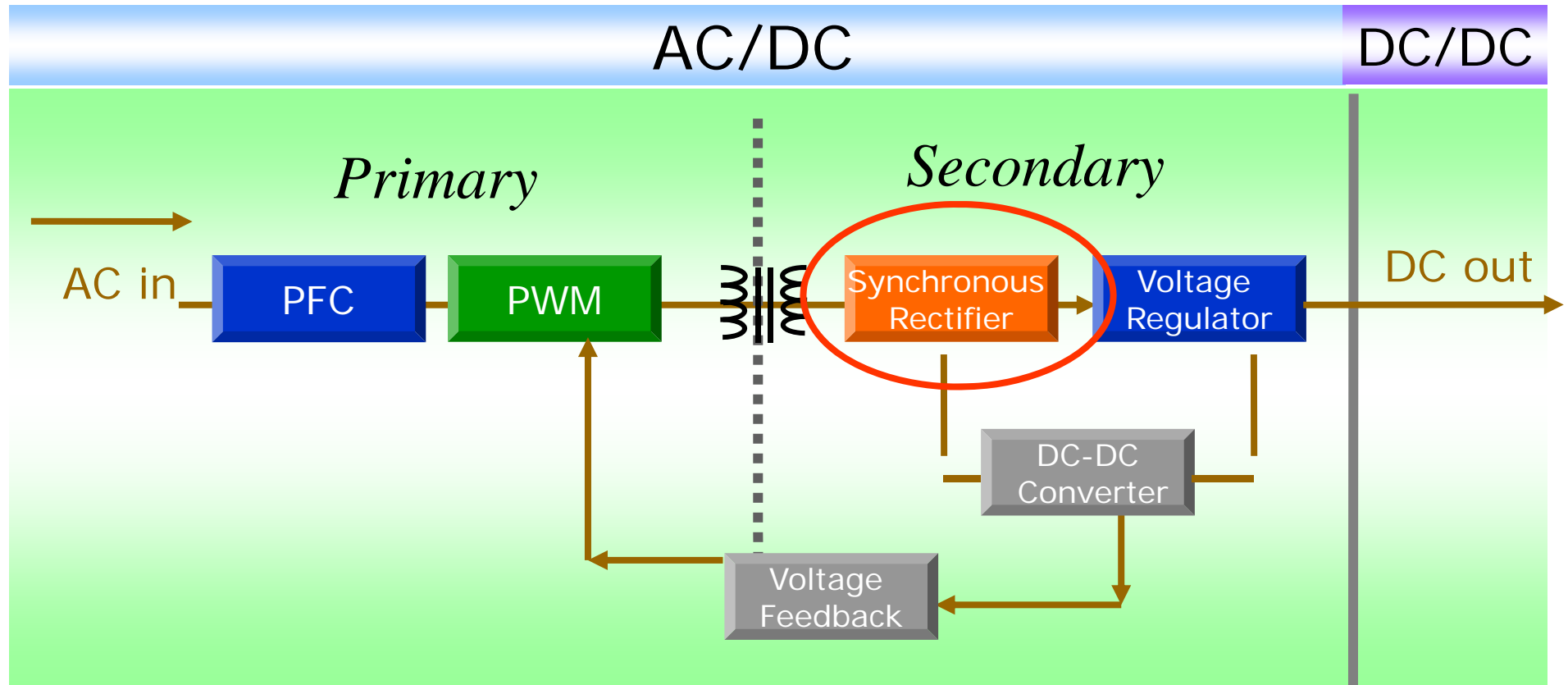


NANKANG SOFTWARE PARK II



擎力科技股份有限公司

Product Application

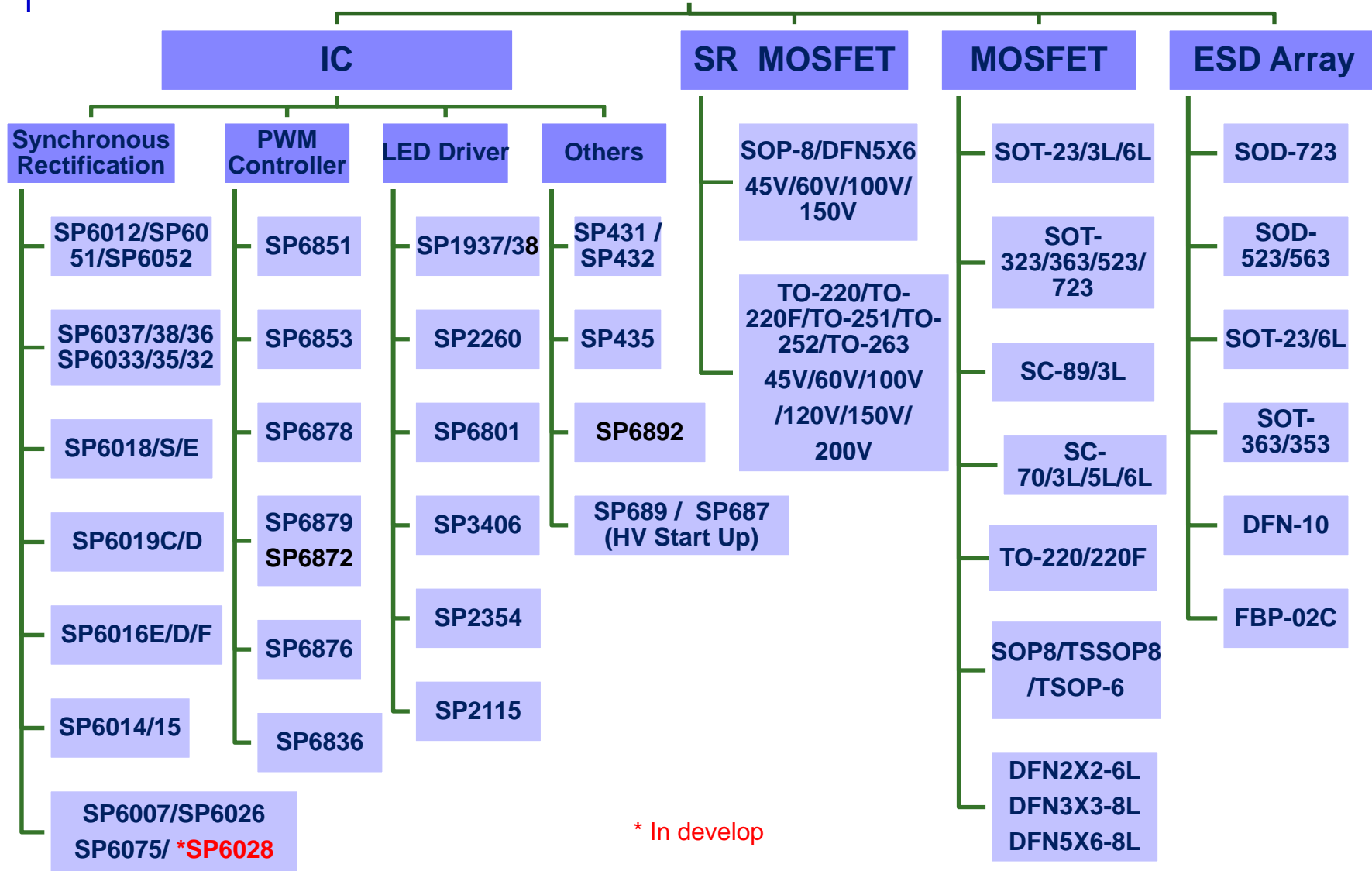


PRODUCT LINES

- **IC**
 - **Synchronous Rectifier Controller**
 - **Primary Side Controller**
 - **Multi Mode QR**
 - **Fix Frequency PWM**
 - **PSR**
 - **One Chip Solution for Primary Side Controller and SR**
 - **PFC**
 - **HV Startup / X cap discharge**
- **MOSFET**
 - **Split Gate Process**
 - **Trench Process**
- **ESD Array**



Sync power Product Tree



Power ICs for Switching Power Supply

■ Primary Side

- Green Mode PWM : SP685x series
- Multi Mode QR : SP687x
- QSR (QR+SR) : SP6892
- PSR : SP683x
- HV Startup : SP689
- X Cap Discharge : SP687
- Shunt Regulator : SP431/SP432
- PFC : SP6562A



Power ICs for Switching Power Supply

- **Secondary Side**

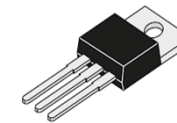
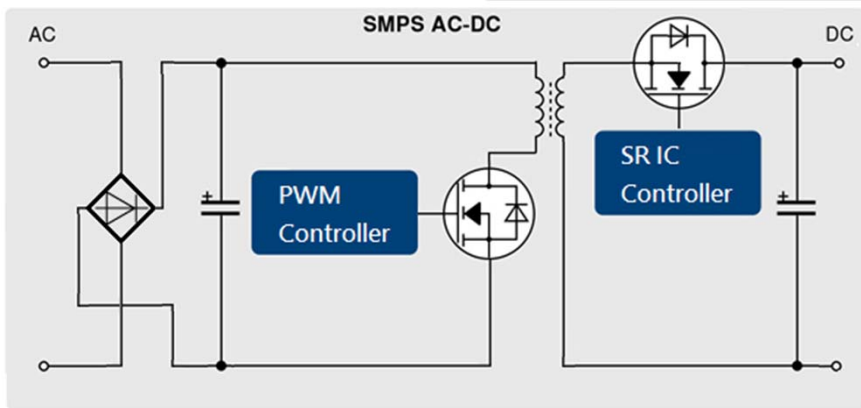
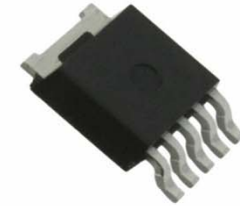
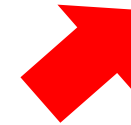
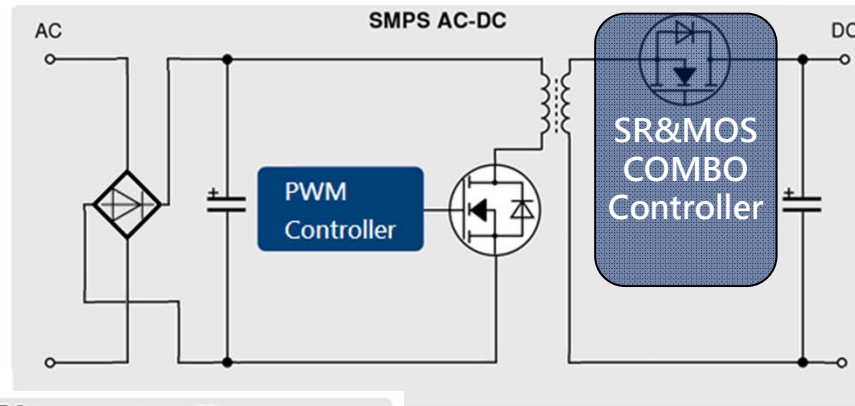
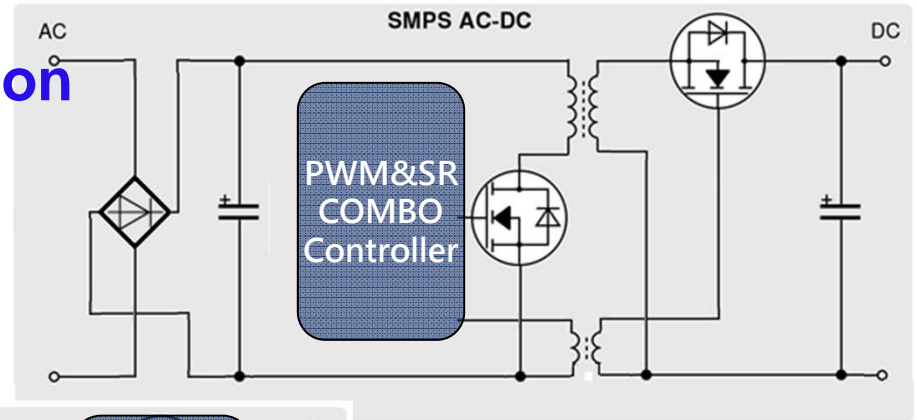
- **SR: SP60xx series**

- Improve efficiency by 2~4%
 - Lower temperature by 10~20°C
 - Improve power density
 - Adjustable ON/Dead time
 - Work with CCM/DCM/QR topologies
 - Work with various Low Rdson MOSFETs
 - Technology Leader

- **Shunt Regulator : SP431/SP432**



Sync Power SR Solution Evolution



MOSFET

- Technology
 - Split Gate Process
 - Trench Process
- BVdss : 15V~200V
- Rdson : 1.9 mOhm ~ 300 mOhm
- Package Type
 - SOT
 - TO
 - PPAK
 - DFN



ESD Array

- **Technology**

- **5V/12V I/O Application**
- **Low Capacitance : 0.3pF~10pF**

- **Package Type**

- **SOD**
- **SOT**
- **DFN**



Major Subcom

➤ **Wafer Foundry**

- Vanguard International Semiconductor Corp.
- MOSEL
- Powerchip Semiconductor
- MXIC

➤ **Wafer Testing**

- Micro Silicon Elecs. Corp.

➤ **Assembly & FT**

- Jiangsu Changjian Electronics Technology Co. LTD.
- SiMat
- Fenghu

